

CR9A

900mm Griddle Gas Range Static Oven



CR9A

- 900mm wide
- 3 griddle burners with pilot, flame failure and piezo ignition
- Machine finished griddle plate 12mm thickness
- High crown static oven
- Capacity for one 2/1 GN or two 1/1 GN pans on oven rack
- Manual pilot ignition
- French door system
- Vitreous enameled oven liner
- Adjustable front feet and rear rollers
- Stainless steel finish
- Fully modular

Also Available



CR9B



CR9C



CR9D

OVERALL CONSTRUCTION

Cooktop

- 12mm machined surface mild steel griddle plate
- Stainless steel front, sides and splashback
- Vitreous enamelled control panel
- Stainless steel spill tray

Oven

- Vitreous enamelled oven liner
- Extra wide GN 2/1 capacity with 4 position racking
- Supplied with two chrome plated oven racks
- Vitreous enamelled oven spill tray
- Stainless steel doors and sides
- 63mm dia. stainless steel adjustable legs to front and two rollers at rear

CONTROLS

Cooktop

- Large easy use control knobs
- Variable high to low controls to griddle burners
- Standard with pilot, flame failure and piezo ignition

Oven

- 100-310°C thermostatic oven control
- Piezo ignition to oven pilot burner with flame failure

CLEANING AND SERVICING

- Easy clean stainless steel exterior
- Stainless steel grease trays on griddles
- Access to all parts from front of unit

Matching Products



CF2



C9C



CR6C



C450



CT9



CP4



CS9 / C900-S



C6B



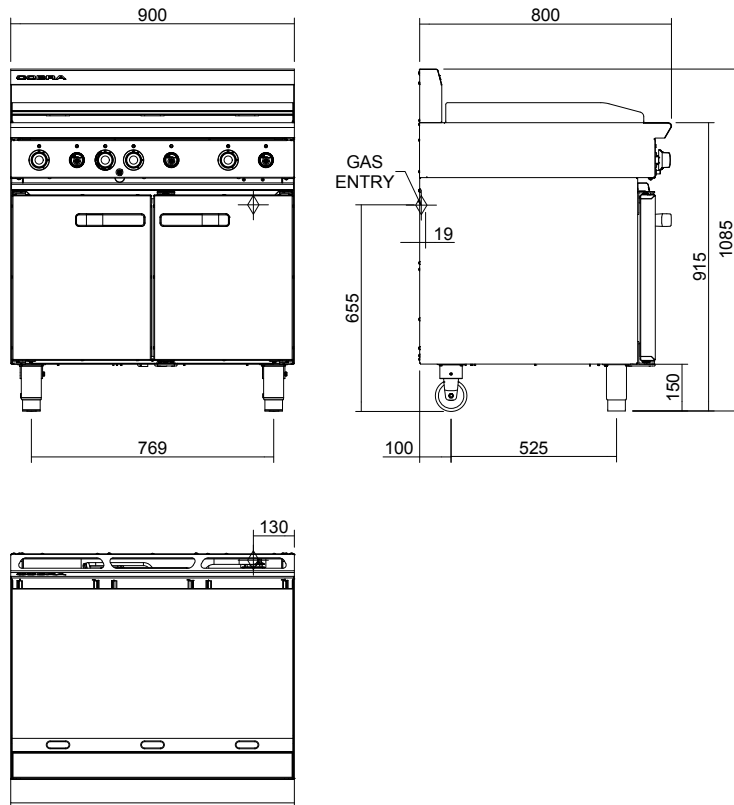
CT6



C300

CR9A

900mm Griddle Gas Range Static Oven



CR9A

SPECIFICATIONS

Burners

Griddle Burners;
5.0kW per 300mm section

Oven;

Natural gas

7.5kW

Propane gas

7.5kW

Gas power

Natural gas
22.5kW (nett), 85,260 Btu/hr (gross)

Propane gas

22.5kW (nett), 83,450 Btu/hr (gross)

Gas flow rate

Natural gas 2.38m³/hr
Propane gas 1.75kg/hr

Oven dimensions

Width 760mm
Depth 615mm
Height 365mm
Rack size
750mm x 590mm
Rack positions 4
Gas connection
R 3/4 (BSP) male
130mm from RH side, 20mm from rear, and 655mm from floor

Dimensions

Width 900mm
Depth 800mm
Height 915mm
Incl. splashback 1085mm
Nett weight
136kg

Packing data

1.21m³, 176kg
Width 1010mm
Depth 955mm
Height 1250mm
Gas types
Available in Natural gas and Propane gas, please specify when ordering
Other gas types on request

blue-seal.co.uk

United Kingdom

blue-seal.co.uk

Blue Seal Limited

Unit 67
Gravelly Business Park
Gravelly
Birmingham B24 8TQ
England
Telephone 0121-327 5575
Facsimile 0121-327 9711
sales@blue-seal.co.uk

Australia

moffat.com.au

Moffat Pty Limited

740 Springvale Road
Mulgrave, Victoria 3170
Australia
Telephone +613-9518 3888
Facsimile +613-9518 3833
vsales@moffat.com.au

New Zealand

moffat.co.nz

Moffat Limited

Rolleston
45 Illinois Drive
Izone Business Hub
Rolleston 7675
Telephone +64 3-983 6600
Facsimile +64 3-983 6660
sales@moffat.co.nz



ISO9001
Quality
Management
Standard

Designed and manufactured by



ISO9001

All Cobra products are designed and manufactured by Moffat using the internationally recognised ISO9001 quality management system, covering design, manufacture and final inspection, ensuring consistent high quality at all times.

In line with policy to continually develop and improve its products, Moffat Limited reserves the right to change specifications and design without notice.



© Copyright Moffat Ltd
UK.C.01.19 / 1622

an Ali Group Company



The Spirit of Excellence