

Technical data sheet for  
**GAS TARGET TOP CONVECTION  
 OVEN RANGE 900mm**

G576

- Heavy-duty cast iron top with removable centre ring
- Matched modular height machined top for seamless work surface
- High output dual ring cast iron burner
- GN 2/1 gas convection oven
- Drop down door
- Rear rollers
- Stainless steel exterior
- Easy clean
- Easy service
- Fully modular



G576

**Overall Construction**

- Galvanized steel chassis
- Welded hob surround with 1.5mm stainless steel bull nose
- Hob sides 1.2mm stainless steel
- Splashback 1.2mm stainless steel
- Front panels and oven sides 0.9mm stainless steel
- Enamelled hob control panel
- 63mm dia. heavy-duty 1.2mm stainless steel adjustable legs at front and two rollers at rear

**Target top**

- 3 piece heavy-duty cast iron top with fully machined surface
- Top plates and removable centre with integral spill protection design
- Cast top reinforced with integral heat fins for heat zone definition
- 12.5kW dual ring cast iron burner with single control
- Full pilot and flame failure protection
- 50mm thick refractory brick lined burner box for high heat retention
- 2 stainless steel spill trays
- Supplied with heavy-duty centre casting removal tool

**Oven**

- Fully welded and enamelled oven liner
- GN 2/1 capacity with 4 position racking
- Heavy-duty easy remove heavy wire chrome rack supports
- Cast iron even heat oven sole plate
- 9kW oven burner
- Pilot and flame failure with piezo ignition
- 100W heavy duty motor
- 200mm diameter heavy-duty circulation fan
- Drop down door
- 0.9mm stainless steel door outer
- 1.0mm enamelled door inner
- High density fibreglass insulated
- Supplied with two chrome wire oven racks

**Controls**

- Large easy use control knobs - heat resistant reinforced
- Easy view control settings on knobs

**Target top**

- Variable high to low burner control
- Single control knob for burner and pilot system
- Flame failure pilot burner
- Manual pilot ignition for reliable operation

**Oven**

- 50-320°C thermostatic control
- Indicator lights for power and heating
- Piezo ignition to pilot burner
- Flame failure
- Fan and burner automatic off when doors open

**Cleaning and Servicing**

- Removable oven racking and sole plate
- Easy clean enamelled oven and door inner
- Easy clean stainless steel exterior
- Target Top fully serviceable from front of unit
- Bottom sill removable for burner and pilot access
- Access to all parts from front of unit

# Technical data sheet for GAS TARGET TOP GAS CONVECTION OVEN RANGE 900mm

## Specifications

### Burners

12.5kW dual ring cast iron - Target Top  
9kW tubular - Oven

### Gas power (gross)

21.5kW, 72,500 Btu/hr

### Oven Fan Motor

100W

### Electrical requirements

230-240Vac, 50/60hz, 1P+N+E, 0.13kW, 0.6A  
3 pin 13A plug cordset fitted

### Target Top

Cooking surface 900mm x 625mm, 5625cm<sup>2</sup>  
Centre 280mm diameter

### Oven Dimensions

Width 665mm  
Depth 590mm  
Height 385mm  
Rack size 660mm x 540mm  
Rack positions 4

### Gas connection

R <sup>3</sup>/<sub>4</sub> (BSP) male  
Optional underside connection, please specify  
when ordering  
All units supplied with Natural and LP gas  
regulator

### Dimensions

Width 900mm  
Depth 812mm  
Height 915mm  
Incl. splashback 1085mm

### Nett weight

264kg

### Packing data

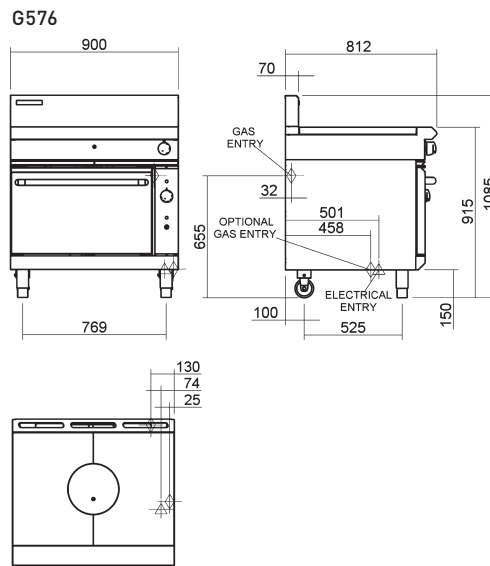
1.03m<sup>3</sup>  
Width 945mm  
Depth 870mm  
Height 1255mm

### Gas types

Available in Natural gas and LP gas, please specify  
when ordering  
Units supplied complete with gas type  
conversion kits

### Options

Adjustable feet at rear  
Joining caps  
Castors



**BLUE SEAL**

[www.blue-seal.co.uk](http://www.blue-seal.co.uk)  
[www.bluesealevolution.com](http://www.bluesealevolution.com)

## United Kingdom

### Blue Seal Limited

Unit 67  
Gravelly Business Park  
Gravelly  
Birmingham B24 8TQ  
England  
Telephone 0121-327 5575  
Facsimile 0121-327 9711  
Email [sales@blue-seal.co.uk](mailto:sales@blue-seal.co.uk)  
[www.blue-seal.co.uk](http://www.blue-seal.co.uk)

## Australia

### Moffat Pty Limited

740 Springvale Rd  
Mulgrave  
Victoria 3170  
Australia  
Telephone 03-9518 3888  
Facsimile 03-9518 3833  
Email [vsales@moffat.com.au](mailto:vsales@moffat.com.au)  
[www.moffat.com.au](http://www.moffat.com.au)

## New Zealand

### Moffat Limited

16 Osborne St  
PO Box 10-001  
Christchurch 8011  
New Zealand  
Telephone 03-389 1007  
Facsimile 03-389 1276  
Email [sales@moffat.co.nz](mailto:sales@moffat.co.nz)  
[www.moffat.co.nz](http://www.moffat.co.nz)



ISO9001  
Quality  
Management  
Standard

Designed and manufactured by

**MOFFAT**

ISO9001

All Blue Seal products are designed and manufactured by Moffat using the internationally recognised ISO9001 quality management system, covering design, manufacture and final inspection, ensuring consistent high quality at all times.



In line with policy to continually develop and improve its products, Moffat Limited reserves the right to change specifications and design without notice.

**BLUE SEAL EVOLUTION SERIES**®

Printed in China  
© Copyright Moffat Ltd  
Moffat/5992/BH/2.5M/09.07

