



## BM7XW - Lincat Silverlink 600 Electric Counter-top Bain Marie - Wet Heat - Gastronorms - Base only - W 750 mm - 2.0 kW

The Silverlink 600 Electric Dry Heat Bain Marie safely holds sauces, soups, gravy and precooked foods for up to two hours at the ideal serving temperature

- ✓ Dry heat bain marie
- ✓ Ideal for holding foods for up to 2 hours at serving temperature
- ✓ Base unit only supplied empty no gastronorms included
- ✓ This wet unit can also be used as a dry bain marie
- ✓ Plug and play for an easy installation
- ✓ Perfect for safely holding sauces, gravy & pre-cooked foods
- ✓ Adjustable temperature control

### Specifications

| Summary                     |                                   | Power and Performance      |            |
|-----------------------------|-----------------------------------|----------------------------|------------|
| <b>Brand</b>                | Lincat                            | <b>Total Power kW</b>      | 2.00       |
| <b>Range</b>                | Silverlink 600                    | <b>IP Rating</b>           | IP33       |
| <b>Power Type</b>           | Electric                          | <b>Temperature Control</b> | Mechanical |
| <b>Unit Type</b>            | Counter-top                       |                            |            |
| <b>Available in UK Only</b> | No                                |                            |            |
| <b>UK Warranty</b>          | 2 Years Parts and Labour Warranty |                            |            |
| <b>Export Warranty</b>      | Contact your local dealer         |                            |            |
| <b>GTIN</b>                 | 5056105100669                     |                            |            |

| Key Specifications    |               | Capacity                   |           |
|-----------------------|---------------|----------------------------|-----------|
| <b>Drain Location</b> | Front-mounted | <b>Gastronorm Capacity</b> | 2 x GN1/1 |
| <b>Pot Type</b>       | Gastronorm    |                            |           |
| <b>Type of Heat</b>   | Wet           |                            |           |

| Weights and Dimensions           |      | Supply Connections                    |       |
|----------------------------------|------|---------------------------------------|-------|
| <b>Unit Height (External) mm</b> | 290  | <b>Requires Installation</b>          | No    |
| <b>Unit Width (External) mm</b>  | 750  | <b>Requires Electrical Supply</b>     | Yes   |
| <b>Unit Depth (External) mm</b>  | 600  | <b>UK 3 Pin Plug</b>                  | Yes   |
| <b>Net Weight Kg</b>             | 16.3 | <b>Requires Hardwiring</b>            | No    |
|                                  |      | <b>Electrical Supply Rating Watts</b> | 2,000 |
|                                  |      | <b>Single Phase Amps</b>              | 8.7   |
|                                  |      | <b>Single Phase Voltage</b>           | 230   |

| Shipping                |       |
|-------------------------|-------|
| <b>Packed Weight Kg</b> | 17.93 |
| <b>Packed Height cm</b> | 49.5  |
| <b>Packed Width cm</b>  | 85.5  |
| <b>Packed Depth cm</b>  | 70    |

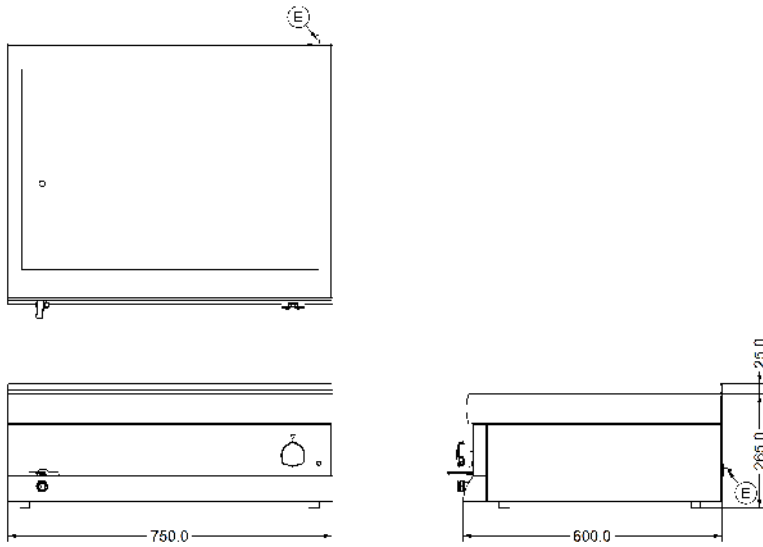
### Available Accessories

|            |   |
|------------|---|
| <b>CC7</b> | Lincat Silverlink 600 Free-standing Ambient Open-Top Pedestal with Doors - W 750 mm         |
| <b>CN7</b> | Lincat Silverlink 600 Free-standing Ambient Open-Top Pedestal without Doors - W 750 mm      |
| <b>HC7</b> | Lincat Silverlink 600 Free-standing Heated Open-Top Pedestal with Doors - W 750 mm - 0.5 kW |

## Available Accessories

- HCL7** Lincat Silverlink 600 Free-standing Heated Pedestal with Legs and Doors - W 750 mm - 0.75 kW
- SLS7** Lincat Silverlink 600 Free-standing Floor Stand - for units W 750 mm

## Technical Picture





**Lincat Limited**

Whisby Road,  
Lincoln, LN6 3QZ,  
United Kingdom

**Company No:** 2175448

A member company of



**Customer Care**

**Tel:** +44 1522 875500  
**Email:** care@lincat.co.uk

**Export Customers**

**Tel:** +44 1522 875536  
**Email:** export@lincat.co.uk

**Opening Hours**

**Monday – Friday:**  
8.30am – 5pm