



## F54/721 - IMC Vulture 1604X Floor-mounted Food Waste Disposer - 3 Phase [4 wire] - W 514 mm - 4.0 kW

Reliable, efficient, safe and easy to operate, the 1604X Waste Disposer allows operators to quickly and effectively remove waste, to create a safer and cleaner kitchen.

- ✓ Fast and efficient disposal of up to 900kg of food waste per hour.
- ✓ Manually reversible motor to extend operational life.
- ✓ Handles up to 1850 covers per sitting - ideal for large kitchens.
- ✓ Low-load cut-outs ensure energy and water efficiency.
- ✓ For tough waste (red meat bones, cauliflower stalks and fish skins).
- ✓ Suitable for large kitchens with three-phase, four-wire power supply.
- ✓ Free-standing design, but can be welded into tabling with E30/096 hopper rim.

### Specifications

#### Summary

<b>Brand</b>	IMC
<b>Range</b>	Vulture
<b>Series</b>	04X Series
<b>Power Type</b>	Electric
<b>Unit Type</b>	Floor-mounted or welded into tabling [with optiona
<b>Available in UK Only</b>	No
<b>UK Warranty</b>	2 Years Parts and Labour Warranty
<b>Export Warranty</b>	Contact your local dealer
<b>Mounting</b>	Floor-mounted
<b>GTIN</b>	5056105199182

#### Power and Performance

<b>Total Power kW</b>	4
<b>HP</b>	5.4
<b>IP Rating</b>	IP55

#### Key Specifications

<b>Operator Safety</b>	Interlocks
<b>Airbreak</b>	No

#### Capacity

<b>Type of Waste</b>	Tough waste
<b>Covers Per Sitting</b>	1850
<b>Capacity Kg per Hour</b>	900

#### Weights and Dimensions

<b>Unit Height (External) mm</b>	850
<b>Unit Width (External) mm</b>	514
<b>Unit Depth (External) mm</b>	740
<b>Net Weight Kg</b>	85.5

#### Supply Connections

<b>Requires Installation</b>	Yes
<b>Requires Electrical Supply</b>	Yes
<b>UK 3 Pin Plug</b>	No
<b>Requires Hardwiring</b>	Yes
<b>Electrical Supply Rating Watts</b>	4000
<b>Three Phase Amps</b>	8.7
<b>Three Phase Voltage</b>	400
<b>Water Supplied From</b>	Storage cistern
<b>Water Connection Pressure Bar</b>	0.18
<b>Drain Connection</b>	2" BSP threaded flange, connected to 54mm piping;
<b>Water Connection</b>	22mm

### Shipping

<b>Packed Weight Kg</b>	94.05
<b>Packed Height cm</b>	105
<b>Packed Width cm</b>	79
<b>Packed Depth cm</b>	54

### Available Options

#### MAG CUTLERY SAVER

**VS279** 1204/1204X/1604/1604X MAGNETIC CUTLERY SAVER

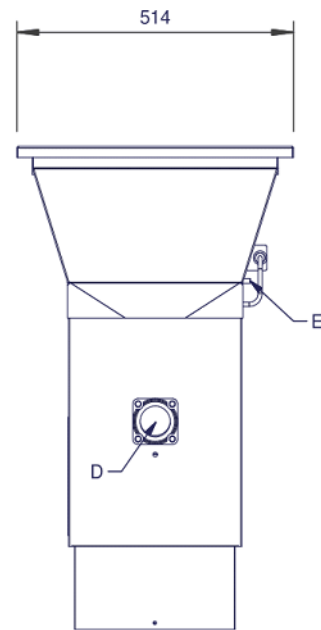
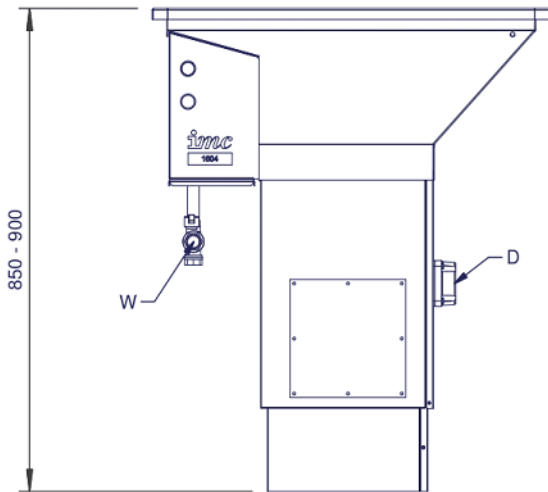
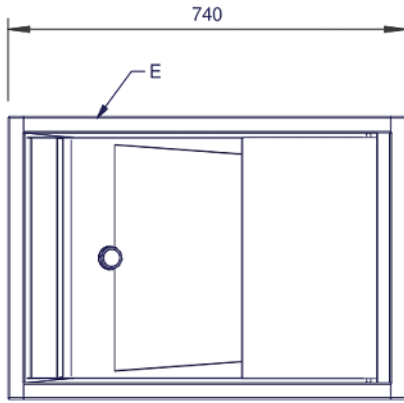
#### REMOTE CONTROL

**S54/026** 1204X/1604X REMOTE CONTROL BOX

### Available Accessories

**E30/096** Hopper Rim for 1204/1204X/1604/1604X Food Waste Disposer

### Technical Picture



**Lincat Limited**

Whisby Road,  
Lincoln, LN6 3QZ,  
United Kingdom

**Company No:** 2175448

A member company of



**Customer Care**

**Tel:** +44 1522 875500  
**Email:** care@lincat.co.uk

**Export Customers**

**Tel:** +44 1522 875536  
**Email:** export@lincat.co.uk

**Opening Hours**

**Monday – Friday:**  
8.30am – 5pm