



## F58/900 - IMC SP12 Floor-mounted Potato Peeler - 1 Phase - H 1120 mm - 0.37 kW

Compact and flexible, the SP12 (1PH) peeler has a high output and small footprint, making it ideal for medium and large operations with single-phase power.

- ✓ Able to peel 12kg of potatoes in 2 minutes - up to 220kg per hour
- ✓ Upright design with small footprint, ideal for medium and large operations
- ✓ Low pedestal for quick and easy discharge of potatoes
- ✓ Lubricated, heavy-duty gearbox makes peeling operation smooth and reliable
- ✓ Dual position waste outlets and smooth cylinder base for quick, easy cleaning
- ✓ Long-lasting, rust-proof plate and replaceable liners for effective peeling
- ✓ Suitable for kitchens with single-phase power supply
- ✓ WRAS-approved Class A air-break and brass spray nozzle to prevent water escape

### Specifications

#### Summary

|                             |                                   |
|-----------------------------|-----------------------------------|
| <b>Brand</b>                | IMC                               |
| <b>Range</b>                | SP Peeler                         |
| <b>Power Type</b>           | Electric                          |
| <b>Unit Type</b>            | Floor-mounted                     |
| <b>Available in UK Only</b> | No                                |
| <b>UK Warranty</b>          | 2 Years Parts and Labour Warranty |
| <b>Export Warranty</b>      | Contact your local dealer         |
| <b>Mounting</b>             | Floor-mounted                     |
| <b>GTIN</b>                 | 5056105198772                     |

#### Power and Performance

|                       |      |
|-----------------------|------|
| <b>Total Power kW</b> | 0.37 |
| <b>HP</b>             | 0.5  |
| <b>IP Rating</b>      | IP55 |

#### Key Specifications

|                        |               |
|------------------------|---------------|
| <b>Operator Safety</b> | User Guide    |
| <b>Timer</b>           | Yes           |
| <b>Drain Location</b>  | Right or left |
| <b>Airbreak</b>        | Yes           |

#### Capacity

|                             |     |
|-----------------------------|-----|
| <b>Capacity Kg per Hour</b> | 220 |
|-----------------------------|-----|

#### Weights and Dimensions

|                                  |      |
|----------------------------------|------|
| <b>Unit Height (External) mm</b> | 1109 |
| <b>Unit Width (External) mm</b>  | 530  |
| <b>Unit Depth (External) mm</b>  | 624  |
| <b>Net Weight Kg</b>             | 48,5 |

#### Supply Connections

|                                      |                     |
|--------------------------------------|---------------------|
| <b>Requires Installation</b>         | Yes                 |
| <b>Requires Electrical Supply</b>    | Yes                 |
| <b>UK 3 Pin Plug</b>                 | Yes                 |
| <b>Requires Hardwiring</b>           | No                  |
| <b>Motor Rating Watts</b>            | 370                 |
| <b>Single Phase Amps</b>             | 6.2                 |
| <b>Single Phase Voltage</b>          | 230                 |
| <b>Water Connection Pressure Bar</b> | 2.7-3.8 [40-55 psi] |
| <b>Drain Connection</b>              | 54mm                |
| <b>Water Connection</b>              | 12mm                |

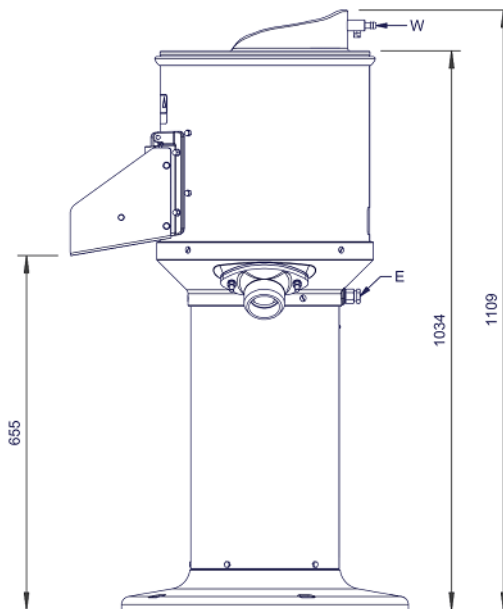
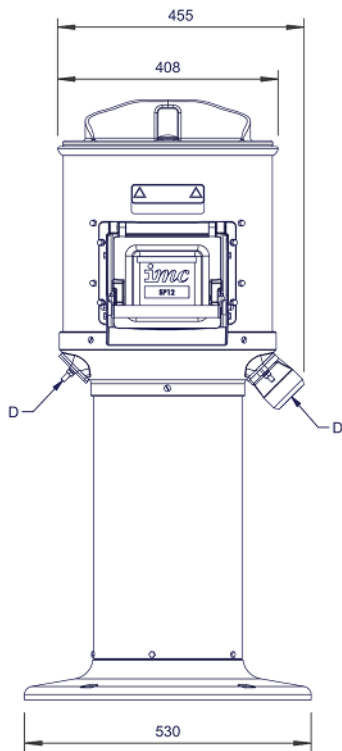
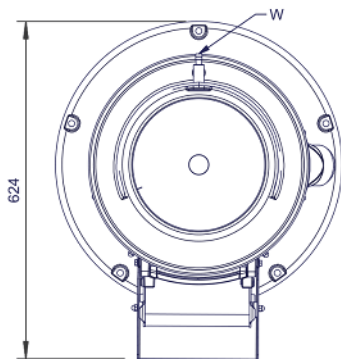
#### Shipping

|                         |       |
|-------------------------|-------|
| <b>Packed Weight Kg</b> | 53,35 |
| <b>Packed Height cm</b> | 148   |
| <b>Packed Width cm</b>  | 68    |
| <b>Packed Depth cm</b>  | 57    |

**Available Accessories**

- A29/003** Lid Retaining Strap for SP/VQ Potato Peeler
- S58/568** Filter Basket - Integral - for SP Potato Peeler
- S58/569** Interceptor Tank - for SP Potato Peeler [pedestal mounted/2" BSP]
- S58/570** Waste Ejector for SP Potato Peeler [2" BSP]
- S61/168** Stand for SP Potato Peeler

**Technical Picture**





**Lincat Limited**

Whisby Road,  
Lincoln, LN6 3QZ,  
United Kingdom

**Company No:** 2175448

A member company of



**Customer Care**

**Tel:** +44 1522 875500  
**Email:** care@lincat.co.uk

**Export Customers**

**Tel:** +44 1522 875536  
**Email:** export@lincat.co.uk

**Opening Hours**

**Monday – Friday:**  
8.30am – 5pm