



## F59/500/L - IMC MF5L Counter-top Vegetable Peeler - with Carborundum Liner - 1 Phase - W 366 mm - 0.25 kW

The high-output, versatile MF5L (1PH) can be used to quickly peel a range of vegetables - making it an ideal addition for small to medium kitchens.

- ✓ Able to peel up to 134kg of vegetables per hour - in 5kg batches
- ✓ With carborundum liner to reduce peeling times even further
- ✓ Interlocking lid and door ensure safe operation
- ✓ Perspex viewing pane allows you to monitor the peeling progress
- ✓ Adjustable timer ensures accurate, repeatable peeling time
- ✓ Modular construction facilitates easy maintenance
- ✓ Thicker peeling plate delivers longer operating life
- ✓ Suitable for small to medium kitchens with single-phase power supply

### Specifications

#### Summary

<b>Brand</b>	IMC
<b>Range</b>	MF Multi-Functional Peeler
<b>Power Type</b>	Electric
<b>Unit Type</b>	Counter-top
<b>Available in UK Only</b>	No
<b>UK Warranty</b>	2 Years Parts and Labour Warranty
<b>Export Warranty</b>	Contact your local dealer
<b>Mounting</b>	Counter-top
<b>GTIN</b>	5056105198758

#### Power and Performance

<b>Total Power kW</b>	0.25
<b>HP</b>	0.33
<b>IP Rating</b>	IP55

#### Key Specifications

<b>Operator Safety</b>	Interlocks
<b>Timer</b>	Yes
<b>Drain Location</b>	Rear
<b>Airbreak</b>	Yes

#### Capacity

<b>Capacity Kg per Hour</b>	134
-----------------------------	-----

#### Weights and Dimensions

<b>Unit Height (External) mm</b>	634
<b>Unit Width (External) mm</b>	366
<b>Unit Depth (External) mm</b>	519
<b>Net Weight Kg</b>	31.5

#### Supply Connections

<b>Requires Installation</b>	Yes
<b>Requires Electrical Supply</b>	Yes
<b>UK 3 Pin Plug</b>	No
<b>Requires Hardwiring</b>	Yes
<b>Motor Rating Watts</b>	250
<b>Single Phase Amps</b>	1.6
<b>Single Phase Voltage</b>	230
<b>Water Connection Pressure Bar</b>	2.7-3.8 [40-55 psi]
<b>Drain Connection</b>	38mm
<b>Water Connection</b>	12mm

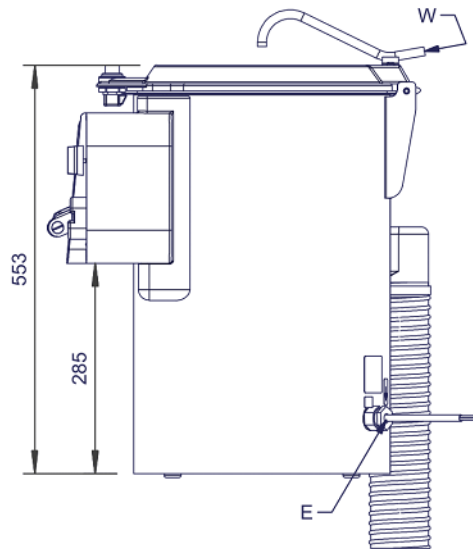
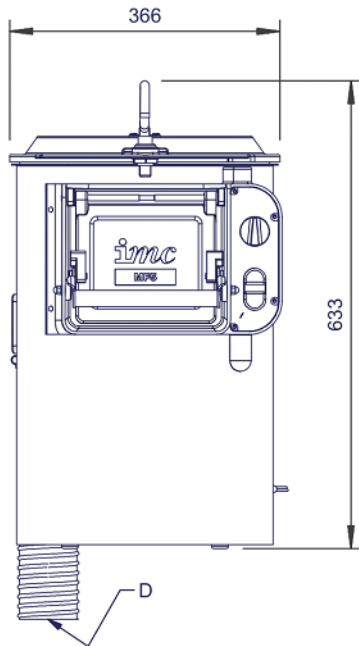
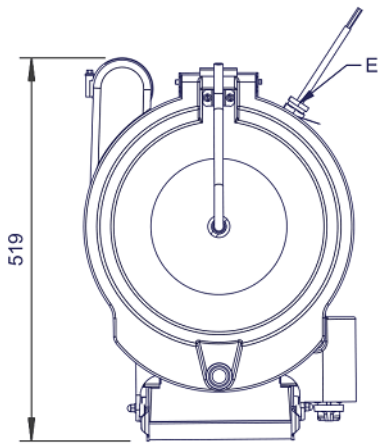
### Shipping

<b>Packed Weight Kg</b>	34.65
<b>Packed Height cm</b>	60
<b>Packed Width cm</b>	51
<b>Packed Depth cm</b>	39

### Available Accessories

<b>S59/163</b>	Carborundum Peeling Plate for MF5/MF5L Vegetable Peeler
<b>S59/245</b>	Stand and Filter Basket for MF5/MF5L Vegetable Peeler

### Technical Picture





**Lincat Limited**

Whisby Road,  
Lincoln, LN6 3QZ,  
United Kingdom

**Company No:** 2175448

A member company of



**Customer Care**

**Tel:** +44 1522 875500  
**Email:** care@lincat.co.uk

**Export Customers**

**Tel:** +44 1522 875536  
**Email:** export@lincat.co.uk

**Opening Hours**

**Monday – Friday:**  
8.30am – 5pm