



## F59/720 - IMC MF10 Free-standing Vegetable Peeler - with Onion Plate - 3 Phase - W 481 mm - 0.37 kW

The high-output, versatile MF10 Onion Peeler (3PH) can be used to quickly peel onions - making it an ideal addition for medium to large kitchens.

- ✓ Able to peel up to 143.5kg of onions per hour - in 10kg batches.
- ✓ Adjustable timer ensures accurate, repeatable peeling times.
- ✓ Smooth stainless steel waste outlet prevents blockages and build-up of peelings.
- ✓ Modular construction facilitates easy maintenance.
- ✓ Interlocking lid and door ensure safe operation.
- ✓ Thicker peeling plate delivers longer operating life.
- ✓ Perspex viewing pane allows you to monitor the peeling progress.
- ✓ Suitable for medium to large kitchens with three-phase power supply.

### Specifications

#### Summary

<b>Brand</b>	IMC
<b>Range</b>	MF Multi-Functional Peeler
<b>Power Type</b>	Electric
<b>Unit Type</b>	Free-standing
<b>Available in UK Only</b>	No
<b>UK Warranty</b>	2 Years Parts and Labour Warranty
<b>Export Warranty</b>	Contact your local dealer
<b>Mounting</b>	Free-standing
<b>GTIN</b>	5056105198673

#### Power and Performance

<b>Total Power kW</b>	0.37
<b>HP</b>	0.5
<b>IP Rating</b>	IP55

#### Key Specifications

<b>Operator Safety</b>	Interlocks
<b>Timer</b>	Yes
<b>Drain Location</b>	Rear and under
<b>Airbreak</b>	Yes

#### Capacity

<b>Capacity Kg per Hour</b>	143.5
-----------------------------	-------

#### Weights and Dimensions

<b>Unit Height (External) mm</b>	1105
<b>Unit Width (External) mm</b>	481
<b>Unit Depth (External) mm</b>	629
<b>Net Weight Kg</b>	52

#### Supply Connections

<b>Requires Installation</b>	Yes
<b>Requires Electrical Supply</b>	Yes
<b>UK 3 Pin Plug</b>	No
<b>Requires Hardwiring</b>	Yes
<b>Motor Rating Watts</b>	370
<b>Three Phase Amps</b>	1.2
<b>Three Phase Voltage</b>	400
<b>Water Connection Pressure Bar</b>	2.7-3.8 [40-55 psi]
<b>Drain Connection</b>	38mm
<b>Water Connection</b>	12mm

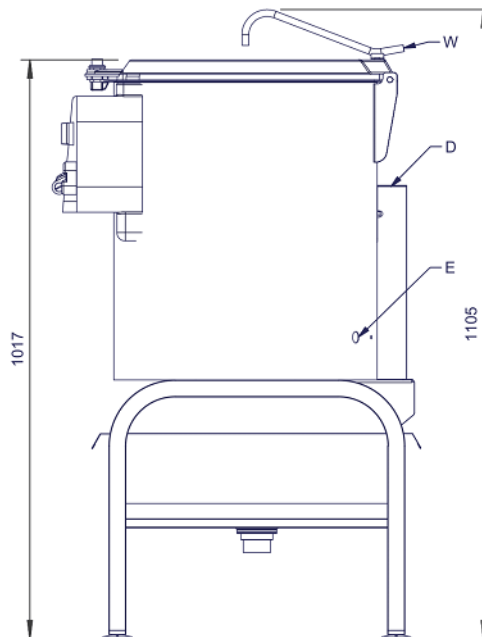
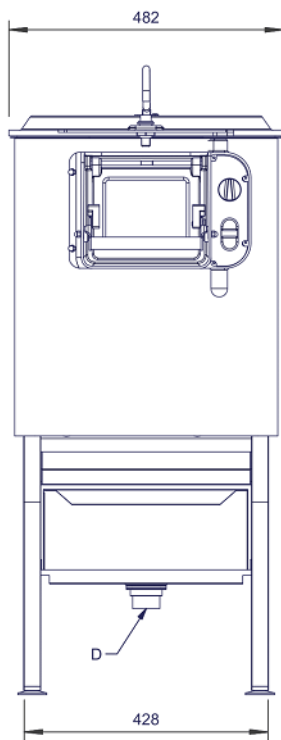
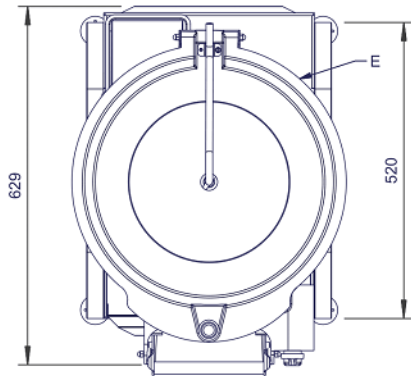
#### Shipping

<b>Packed Weight Kg</b>	58.8
<b>Packed Height cm</b>	118
<b>Packed Width cm</b>	50
<b>Packed Depth cm</b>	70

### Available Accessories

- S58/062** Inlet Hose Kit for MF10/MF10L/MF15/MF15L Vegetable Peeler
- S59/166** Onion Peeling Plate for MF10/MF15 Vegetable Peeler

### Technical Picture





**Lincat Limited**

Whisby Road,  
Lincoln, LN6 3QZ,  
United Kingdom

**Company No:** 2175448

A member company of



**Customer Care**

**Tel:** +44 1522 875500  
**Email:** care@lincat.co.uk

**Export Customers**

**Tel:** +44 1522 875536  
**Email:** export@lincat.co.uk

**Opening Hours**

**Monday – Friday:**  
8.30am – 5pm