



F63/700 - IMC IMClean Junior Reduced Height Mobile Hand Wash Station without Heater - inc. S/back, Soap & Paper Towel Holder - W 520mm

The junior mobile hand wash station - for schools who need to add to their existing reduced height hand wash facilities. Without the need for water or electrical supplies, it can be located anywhere, whether that be in the middle of the playground or in the entrance to the school.

- ✓ Reduced 700 mm height - easy for children to reach the sink
- ✓ Provides hand washing facility in locations where mains water and electricity aren't available
- ✓ Ideal for increasing hygienic hand washing facilities wherever required - just fill and go!
- ✓ 20 litres per fill, dispenses up to 100ml per foot press, delivering 200 dispenses from one full tank
- ✓ Foot operated dispenser to also control the volume of water needed
- ✓ Tap dispenses via foot action, ensures hygienic operation, with no need for hand contact
- ✓ Internal waste collection - no need for drainage
- ✓ Large wheels make the hand wash station quick and easy to move
- ✓ Constructed from sturdy and hygienic stainless steel, including handy accessories, making it easy to wipe clean
- ✓ Supplied with splashback and space for soap dispenser and paper towels, for easy and convenient access to soap and towels
- ✓ Optional bin ring available providing a handily located bin for disposal of paper towels

Specifications

Summary

Brand	IMC
Range	IMClean
Series	Mobile Hand Wash
Available in UK Only	No
UK Warranty	1 Year Parts and Labour Warranty
Export Warranty	Contact your local dealer
GTIN	5056105121473

Power and Performance

Water Temperature °C	Ambient
Drain Method	Flexible pipe to removable waste container

Key Specifications

Waste Collection	Internal removable container [supplied]
Outlet	Manual operated foot pump
Number of Sinks	1

Capacity

Capacity Litres	20
------------------------	----

Weights and Dimensions

Unit Height (External) mm	1003
Unit Width (External) mm	520
Unit Depth (External) mm	592
Height to Sink mm	700
Net Weight Kg	24

Supply Connections

Requires Installation	No
Requires Electrical Supply	No

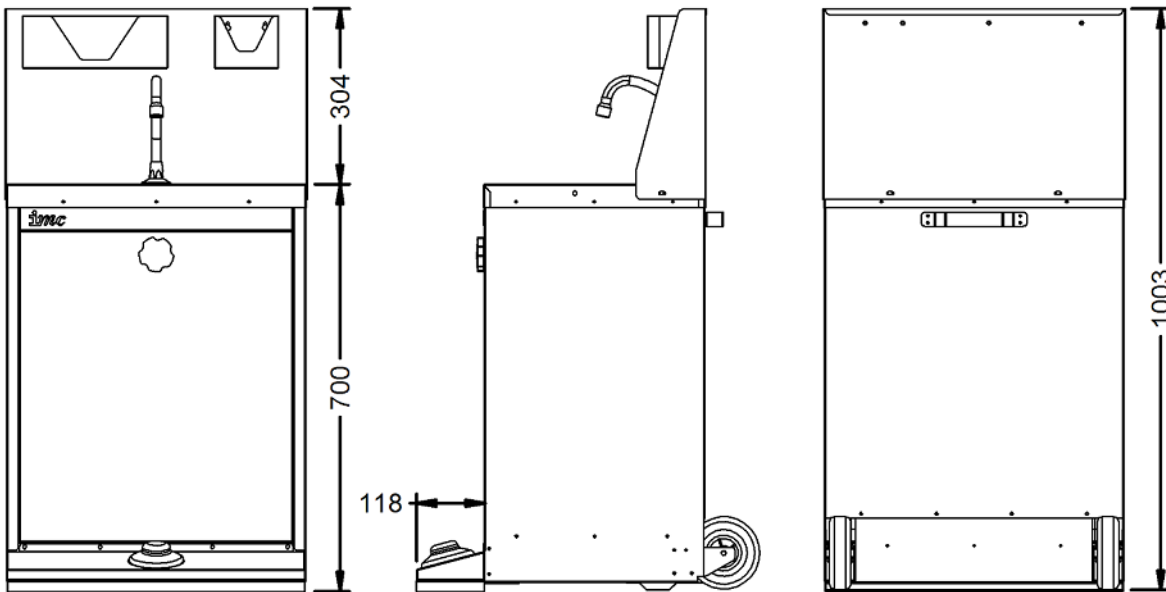
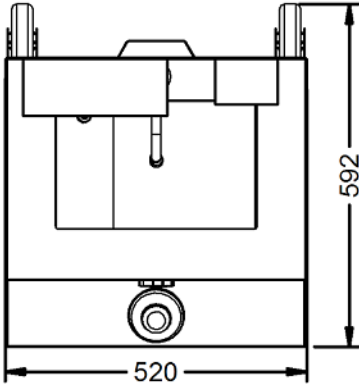
Shipping

Packed Weight Kg	26.4
Packed Height cm	115
Packed Width cm	57
Packed Depth cm	67.5

Available Accessories

- S63/222** Bin Bag Holder for Mobile Hand Wash Station [inc. 20 x Bin Bags]
- S63/223** Bin Bags for Mobile Hand Wash Station [Pk 20][fits S63/222 Holder]

Technical Picture





Lincat Limited

Whisby Road,
Lincoln, LN6 3QZ,
United Kingdom

Company No: 2175448

A member company of



Customer Care

Tel: +44 1522 875500
Email: care@lincat.co.uk

Export Customers

Tel: +44 1522 875536
Email: export@lincat.co.uk

Opening Hours

Monday – Friday:
8.30am – 5pm