



F73/101/SS - IMC BM100 Bottle Cooler [Top Load] - Glass Lid - H 875 mm - W 1000 mm - 0.368 kW

Designed for underbar use, the BM100 features rapid cooling technology and an innovative storage system to provide perfectly-chilled drinks that can be served quickly.

- ✓ Rapid cooling so drinks can be served quickly
- ✓ Stylish storage for 210 bottles
- ✓ Top loading design provides fast and easy access to ice cold drinks
- ✓ Glazed sliding doors mean drinks can be seen without opening
- ✓ Stylish exterior to suit any commercial bar setting
- ✓ UK 3 pin plug allows users to simply plug in and switch on
- ✓ Optional baskets and dividers provide easy loading
- ✓ Interior lighting option enhances visibility for bar staff

Specifications

Summary

Brand	IMC
Range	BM Bottle Cooler
Power Type	Electric
Unit Type	Free-standing
Available in UK Only	No
UK Warranty	2 Years Parts and Labour Warranty
Export Warranty	Contact your local dealer
GTIN	5056105198024

Power and Performance

Total Power kW	0.368
Temperature Range °C	2-6
IP Rating	IPX1
Temperature Control	Electronic

Key Specifications

Door Hinge	Sliding
Door Location	Top
Lockable Door	Yes
Colour	Stainless Steel
Number of Doors	2
Shelf Material	Plastic Coated
Number of Shelves included	2
Number of Shelf Positions	2
Refrigerant Type	R134a

Capacity

Capacity Bottles	210
Capacity Litres	190

Weights and Dimensions

Unit Height (External) mm	875
Unit Width (External) mm	1000
Unit Depth (External) mm	560
Height (Internal) mm	495
Width (Internal) mm	925
Depth (Internal) mm	430
Shelf Dimensions Width mm	424
Shelf Dimensions Depth mm	448
Net Weight Kg	84

Supply Connections

Requires Installation	No
Requires Electrical Supply	Yes
UK 3 Pin Plug	Yes
Requires Hardwiring	No
Electrical Supply Rating Watts	368
Single Phase Amps	1.6
Single Phase Voltage	240

Shipping

Packed Weight Kg	92.4
Packed Height cm	111
Packed Width cm	105
Packed Depth cm	60

Available Options

INTERNAL LIGHT

VS321B BM100 INTERNAL LIGHT

SPEED RAIL

VS327 BM100 SPEED RAIL

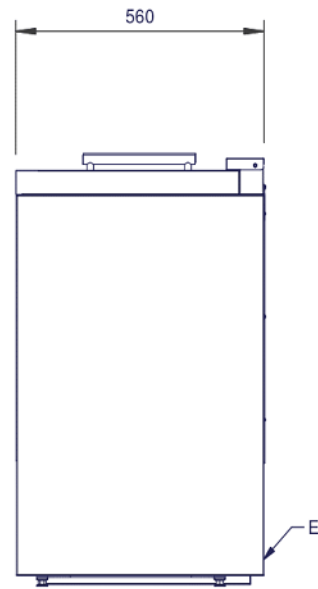
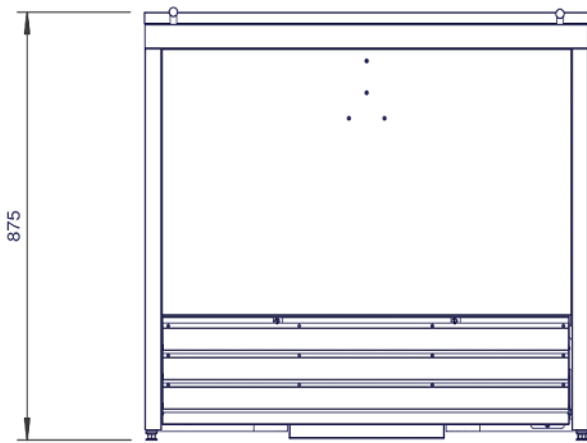
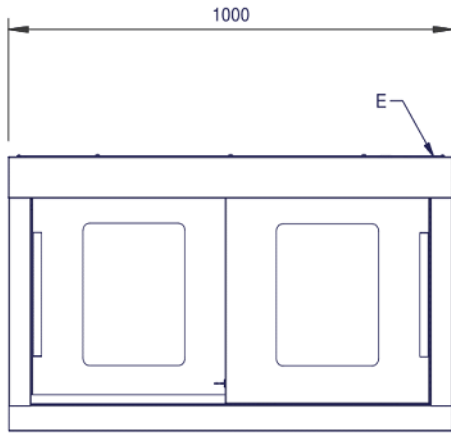
Available Accessories

A12/089 Bottle Basket for BM Bottle Cooler

S73/004 Bottle Opener and Cap Catcher for BM Bottle Cooler

S73/110 Divider Pack for BM100 Bottle Cooler

Technical Picture



Lincat Limited

Whisby Road,
Lincoln, LN6 3QZ,
United Kingdom

Company No: 2175448

A member company of



Customer Care

Tel: +44 1522 875500
Email: care@lincat.co.uk

Export Customers

Tel: +44 1522 875536
Email: export@lincat.co.uk

Opening Hours

Monday – Friday:
8.30am – 5pm