



PHER01 - Lincat Phoenix Electric Free-standing Induction Oven Range - 6-Zone - W 900 mm - 17.1 kW [3-Phase]

With six 1.85kW induction zones and a six GN1/1 large capacity oven, the Phoenix Electric Induction Oven is all about flexibility.

- ✔ Six 1.85kW zones. When you need intense heat to get you cooking fast zones can be boosted to 3kW for up to 10 minutes. Power to the other zones will drop during the boost period.
- ✔ Large 6 x GN1/1 capacity twin fan assisted oven enabling six different foods to be cooked simultaneously
- ✔ Incredible efficiency, automatically cutting power when no pan is present, reducing running costs and providing a more comfortable kitchen environment
- ✔ Easy to clean, heavy duty 6mm thick high impact resistant glass ceramic surface
- ✔ Highly insulated oven reducing heat loss and ensuring a more consistent temperature

Specifications

Summary Power and Performance

Brand	Lincat	Total Power kW	17.1
Range	Phoenix	Temperature Range °C	50-250
Power Type	Electric	IP Rating	IP24
Unit Type	Free-standing	Cooking Area (Width x Depth) mm	190 dia. x 6
Available in UK Only	No	Temperature Control	Mechanical
UK Warranty	2 Years Parts and Labour Warranty	Rating per Hob kW	1.85
Export Warranty	Contact your local dealer	Oven Rating kW	6.0
GTIN	5056105116400		

Key Specifications Capacity

Number of Shelves included	3	Gastronorm Capacity	6 x GN1/1
Number of Shelf Positions	5		
Number of Hobs	6		
Shape of Hob	Round		

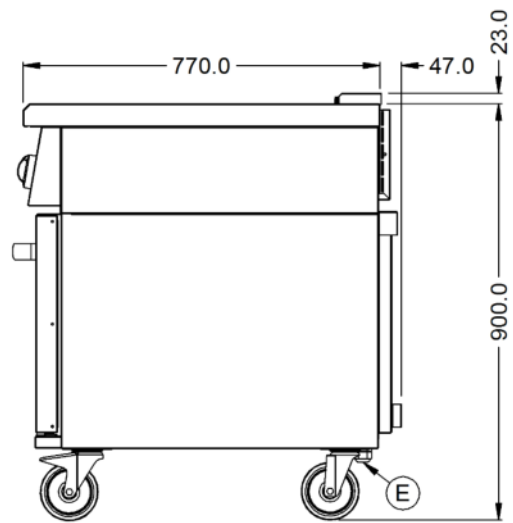
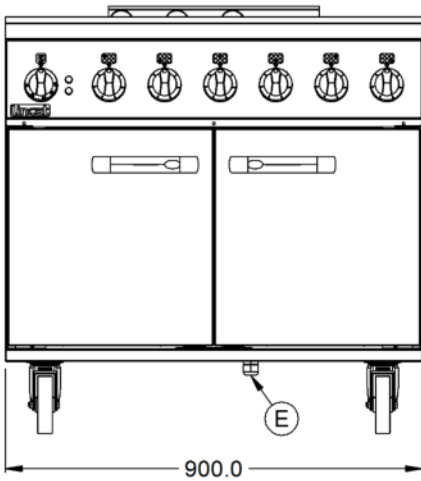
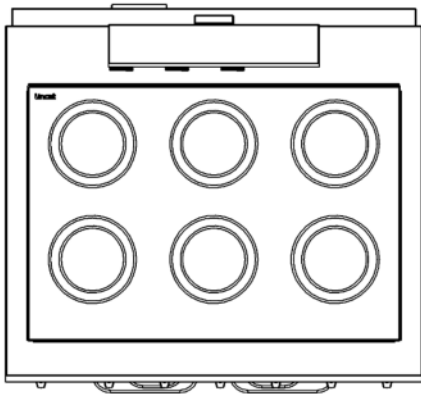
Weights and Dimensions Supply Connections

Unit Height (External) mm	923	Requires Installation	Yes
Unit Width (External) mm	900	Requires Electrical Supply	Yes
Unit Depth (External) mm	817	UK 3 Pin Plug	No
Height (Internal) mm	410	Requires Hardwiring	Yes
Width (Internal) mm	725	Electrical Supply Rating Watts	17,100
Depth (Internal) mm	512	Three Phase Amps	L1=25.0; L2=25.0; L3=25.0
Shelf Dimensions Width mm	706	Three Phase Voltage	400
Shelf Dimensions Depth mm	512		
Hob Dimensions mm	190		
Net Weight Kg	125		

Shipping

Packed Weight Kg	137.5
Packed Height cm	104
Packed Width cm	100
Packed Depth cm	85

Technical Picture





Lincat Limited

Whisby Road,
Lincoln, LN6 3QZ,
United Kingdom

Company No: 2175448

A member company of



Customer Care

Tel: +44 1522 875500
Email: care@lincat.co.uk

Export Customers

Tel: +44 1522 875536
Email: export@lincat.co.uk

Opening Hours

Monday – Friday:
8.30am – 5pm