



## PHER02 - Lincat Phoenix Electric Free-standing Induction Oven Range - 4-Zone - W 600 mm - 11.4 kW [1 or 3-Phase]

With four 1.85kW induction zones and a large three 1/1GN capacity oven, the Phoenix Electric Induction Oven is all about flexibility.

- ✓ Four 1.85kW zones. When you need intense heat to get you cooking fast two zones can be boosted to 3kW for up to 10 minutes. Power to the other two zones will drop during the boost period.
- ✓ Large 3 x GN1/1 capacity fan assisted oven enabling three different foods to be cooked simultaneously
- ✓ Incredible efficiency, automatically cutting power when no pan is present, reducing running costs and providing a more comfortable kitchen environment
- ✓ Easy to clean, heavy duty 6mm thick high impact resistant glass ceramic surface
- ✓ Highly insulated oven reducing heat loss and ensuring a more consistent temperature
- ✓ Suitable for single or three phase applications

### Specifications

#### Summary

<b>Brand</b>	Lincat
<b>Range</b>	Phoenix
<b>Power Type</b>	Electric
<b>Unit Type</b>	Free-standing
<b>Available in UK Only</b>	No
<b>UK Warranty</b>	2 Years Parts and Labour Warranty
<b>Export Warranty</b>	Contact your local dealer
<b>GTIN</b>	5056105118466

#### Power and Performance

<b>Total Power kW</b>	11.4
<b>Temperature Range °C</b>	50-250
<b>IP Rating</b>	IP24
<b>Cooking Area (Width x Depth) mm</b>	190 diameter x 6
<b>Temperature Control</b>	Mechanical
<b>Rating per Hob kW</b>	1.85
<b>Oven Rating kW</b>	4

#### Key Specifications

<b>Number of Shelves included</b>	3
<b>Number of Shelf Positions</b>	5
<b>Number of Hobs</b>	4
<b>Shape of Hob</b>	Round

#### Capacity

<b>Gastronorm Capacity</b>	3 x GN1/1
----------------------------	-----------

#### Weights and Dimensions

<b>Unit Height (External) mm</b>	900
<b>Unit Width (External) mm</b>	600
<b>Unit Depth (External) mm</b>	805
<b>Height (Internal) mm</b>	405
<b>Width (Internal) mm</b>	495
<b>Depth (Internal) mm</b>	530
<b>Shelf Dimensions Width mm</b>	480
<b>Shelf Dimensions Depth mm</b>	530
<b>Hob Dimensions mm</b>	190
<b>Net Weight Kg</b>	109

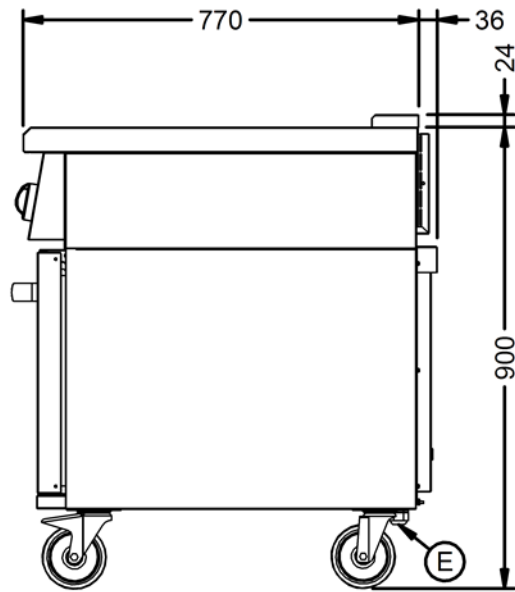
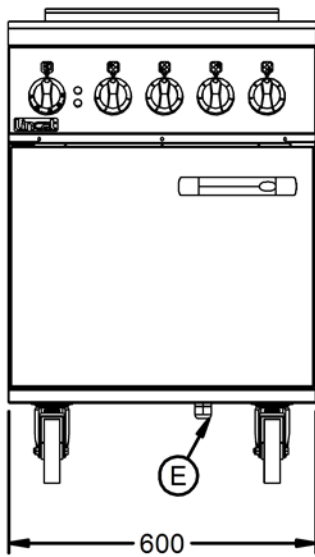
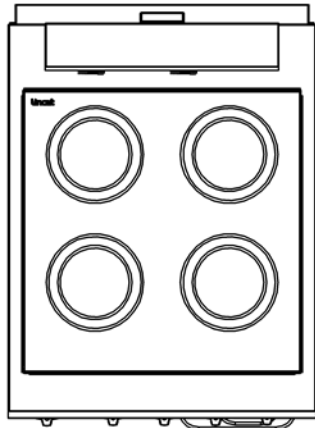
#### Supply Connections

<b>Requires Installation</b>	Yes
<b>Requires Electrical Supply</b>	Yes
<b>UK 3 Pin Plug</b>	No
<b>Requires Hardwiring</b>	Yes
<b>Electrical Supply Rating Watts</b>	11,400
<b>Single Phase Amps</b>	49.6
<b>Single Phase Voltage</b>	230
<b>Three Phase Amps</b>	L1=17.4; L2=16.1; L3=16.1
<b>Three Phase Voltage</b>	400

#### Shipping

<b>Packed Weight Kg</b>	119.9
<b>Packed Height cm</b>	105
<b>Packed Width cm</b>	70
<b>Packed Depth cm</b>	85

Technical Picture



**Lincat Limited**

Whisby Road,  
Lincoln, LN6 3QZ,  
United Kingdom

**Company No:** 2175448

A member company of



**Customer Care**

**Tel:** +44 1522 875500  
**Email:** care@lincat.co.uk

**Export Customers**

**Tel:** +44 1522 875536  
**Email:** export@lincat.co.uk

**Opening Hours**

**Monday – Friday:**  
8.30am – 5pm