



DOMINA PRO 700 - BAIN MARIE

## BME74A



### 1 BOWL GN 1/1, ELECTRIC ON OPEN STAND

#### TECHNICAL DATA:

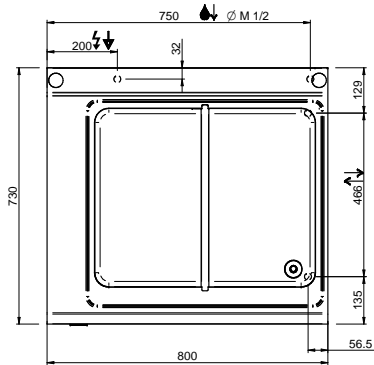
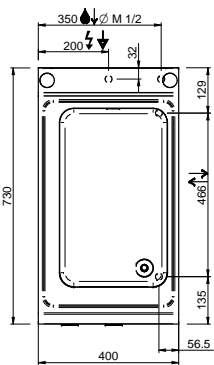
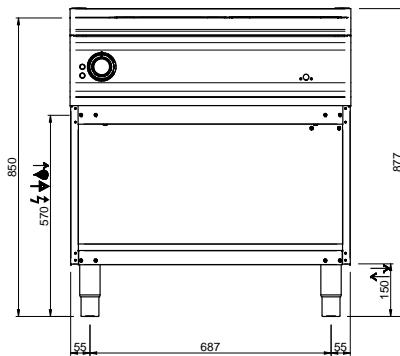
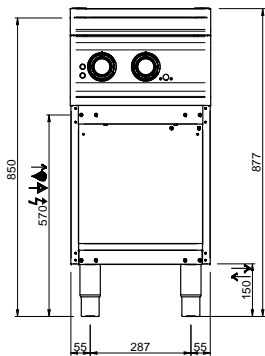
External dimensions - WxDxH (cm)	40x73x85
Tank capacity (lt-GN)	gn 1/1
Total power (kW)	1,5
IPX5	●

#### ADDITIONAL TECHNICAL DATA:

Tank dimensions - WxDxH (cm)	31x51x16
Supply (N)	230V 1N 50/60Hz
Weight (kg)	34
Volume (m3)	0,5

The AISI 304 stainless steel tank is moulded and continuous-welded.

Electric heating with armoured stainless steel elements, set on the external bottom of the tanks and controlled by a thermostat.



LEGENDA SIMBOLI / LEGEND



INGRESSO GAS / GAS INLET  
(EN 10226-1)  $\varnothing M 1/2''$



ALIMENTAZIONE ELETTRICA /  
POWER SUPPLY



INGRESSO ACQUA /  
WATER INLET  $\varnothing M 1/2''$



SCARICO ACQUA / OLII  
WATER / OILS DRAIN



ATTACCO EQUIPOTENZIALE /  
EQUIPOTENTIAL



REGOLAZIONE PIEDINI /  
FEET ADJUSTMENT (h 0/+50)  
/TOP VERSION (h 0/+5)