



DOMINA PRO 700 - BAIN MARIE

BME78A



1 BOWL GN 2/1, ELECTRIC ON OPEN STAND

TECHNICAL DATA:

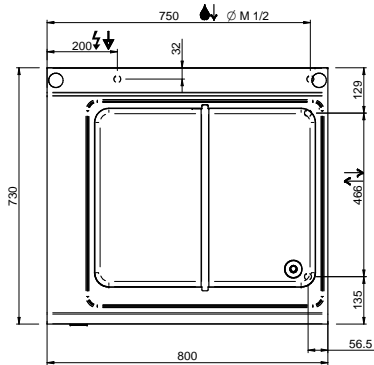
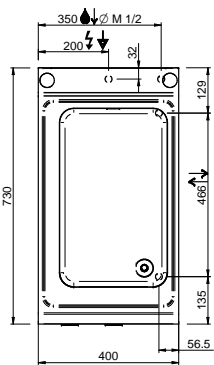
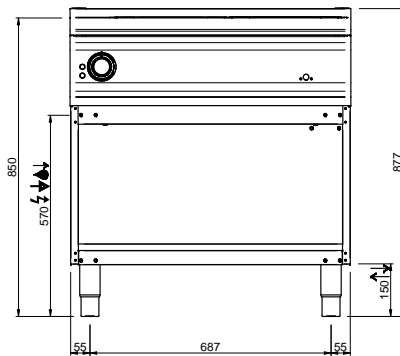
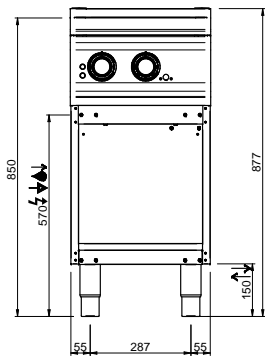
External dimensions - WxDxH (cm)	80x73x85
Tank capacity (lt-GN)	gn 2/1
Total power (kW)	3
IPX5	●

ADDITIONAL TECHNICAL DATA:

Tank dimensions - WxDxH (cm)	63x51x16
Supply (N)	230V 1N 50/60Hz
Weight (kg)	50
Volume (m3)	0,8

The AISI 304 stainless steel tank is moulded and continuous-welded.

Electric heating with armoured stainless steel elements, set on the external bottom of the tanks and controlled by a thermostat.



LEGENDA SIMBOLI / LEGEND



INGRESSO GAS / GAS INLET
(EN 10226-1) Ø M 1/2"



INGRESSO ACQUA /
WATER INLET Ø M 1/2"



ATTACCO EQUIPOTENZIALE /
EQUIPOTENTIAL



ALIMENTAZIONE ELETTRICA /
POWER SUPPLY



SCARICO ACQUA / OLII
WATER / OILS DRAIN



REGOLAZIONE PIEDINI /
FEET ADJUSTMENT (h 0/+50)
/TOP VERSION (h 0/+5)