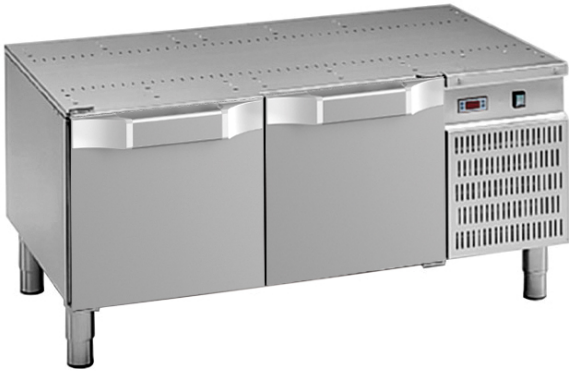




DOMINA PRO 700 - BASES

**BR772C**



## REFRIGERATED VENTILATED

### TECHNICAL DATA:

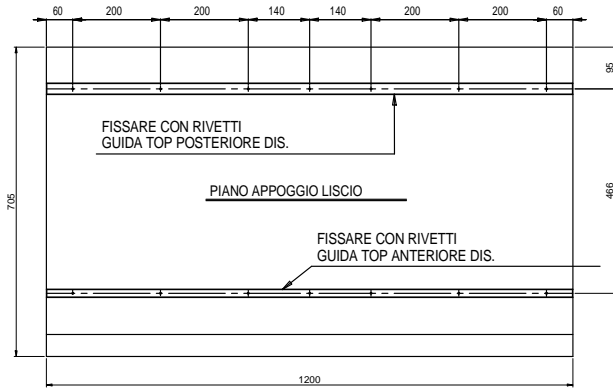
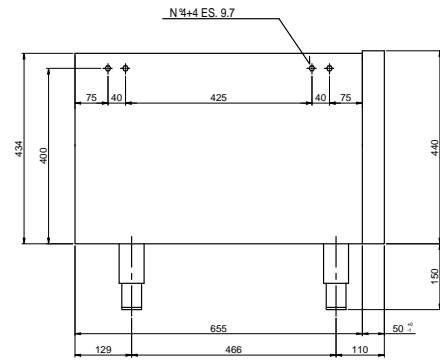
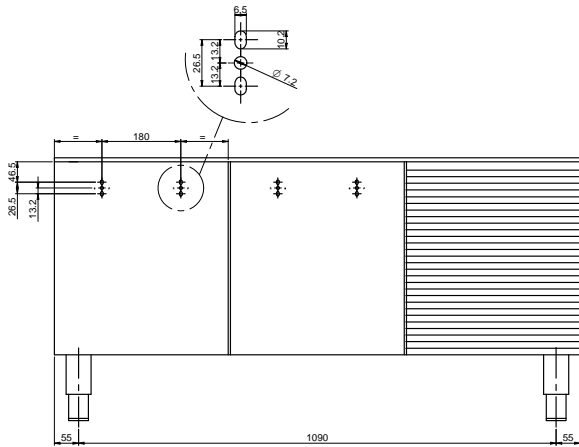
External dimensions - WxDxH (cm)	120x70x60
----------------------------------	-----------

### ADDITIONAL TECHNICAL DATA:

Weight (kg)	80
Volume (m3)	0,9

The DOMINA PRO 700 cupboard bases consists of different models dimensions.

The DOMINA PRO 700 range of ventilated refrigerated bases consists of models with 2/3 drawers or 2/3 doors. They are designed to carry cooking top units.



- BASE REFRIGERATA DOMINA PRO 700 / Refrigerated base Domina PRO 700
- N°2 VANO GASTRONORM 1/1 / n.2 gastronorm 1/1 cupboards
- RIVESTIMENTO AISI 304 SCOTCH BRITE / AISI 304 s/s scotch brite
- N°4 INSERTI ES.M6 SU LATO DX. E SX. / n.4 inserts M.6 on right and left sides
- N°1 GUIDA TOP ANTERIORE FISSATA SUL COPERCHIO / n.1 front top guide fixed on the lid
- N°1 GUIDA TOP POSTERIORE FISSATA SUL COPERCHIO / n.1 back top guide fixed on the lid

BASE REFRIGERATA 2P. L=1200 FTF0002109