



## MAGISTRA PLUS 700 - ELECTRICAL RANGES

### MPR711A



#### 6 ROUND PLATES ON OPEN STAND

##### TECHNICAL DATA:

External dimensions - WxDxH (cm)	110x70x85
Nr. Plates 1,5 kW	3
Nr. Plates 2,6 kW	3
Total power (kW)	12,3

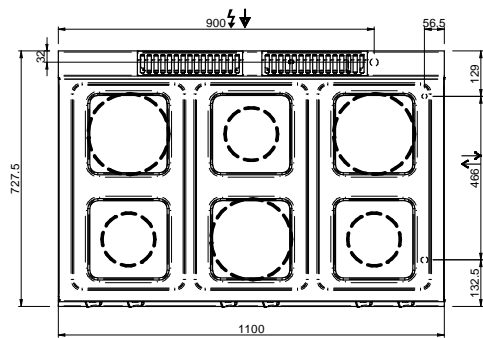
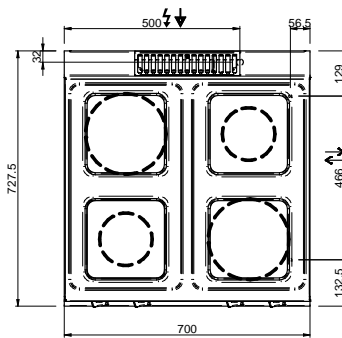
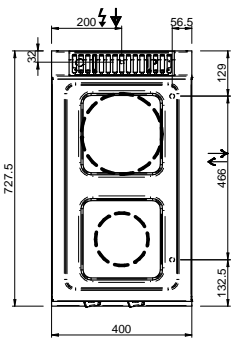
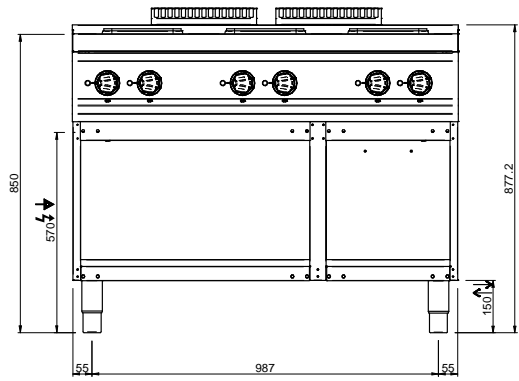
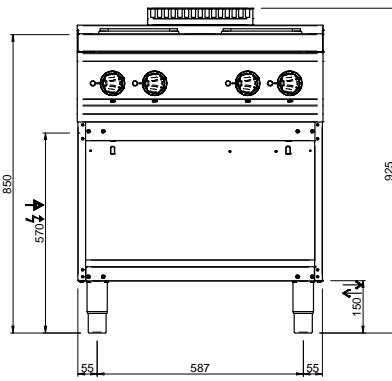
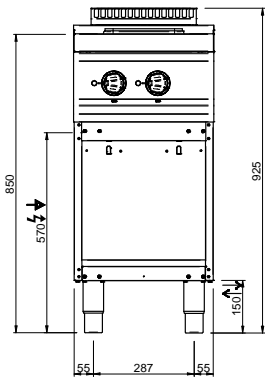
##### ADDITIONAL TECHNICAL DATA:

Supply (N)	400V 3N 50Hz
Weight (kg)	136
Volume (m3)	1,1

The cast iron fast-heating hot plates with safety device to prevent overheating are watertight fixed to the worktop. They are available in three versions: rounded with diameter 145/200 mm and power 1.5 kW and 2.6 kW; squared with dimension 220x220 mm and power 2,6 kW; lowered with dimension 300x300 mm and power 2,5 kW. Indicator lights show when each hotplate is working. 1 mm worktop in AISI 18/10 stainless steel. Excellent alignment with joints.

Versions with oven:

Stainless steel cooking chamber with enameled bottom, stainless steel double-wall door with insulating casing. Electric oven: 5.3 kW (2,6 kW for ventilated oven) stainless steel armoured heating elements placed on the bottom and on the top of the cooking chamber; thermostatic temperature control with separate bottom/top temperature control for maximum cooking flexibility. 3 GN 2/1 rack support (static oven) and 3 GN 2/1 rack support (ventilated oven).



LEGENDA SIMBOLI / LEGEND



INGRESSO GAS / GAS INLET  
(EN 10226-1) Ø M 1/2"



↑ INGRESSO ACQUA /  
WATER INLET Ø M 1/2"



ATTACCO EQUIPOTENZIALE /  
EQUIPOTENTIAL



ALIMENTAZIONE ELETTRICA /  
POWER SUPPLY



↓ SCARICO ACQUA / OLII  
WATER / OILS DRAIN



REGOLAZIONE PIEDINI /  
FEET ADJUSTMENT (h 0/+50)