



MAGISTRA PLUS 700 - GLASS CERAMIC TOP

**MVC77A**



## 4 PLATES ON OPEN CUPBOARD

### TECHNICAL DATA:

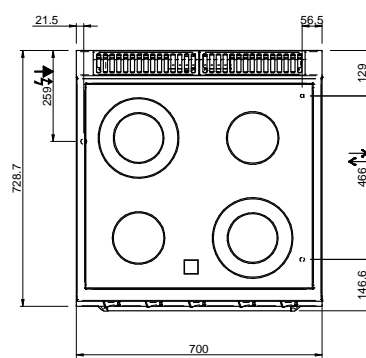
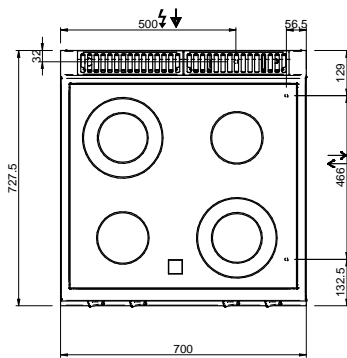
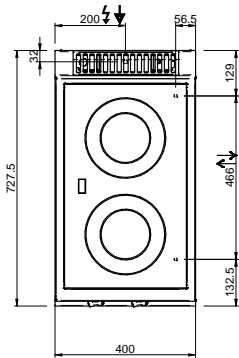
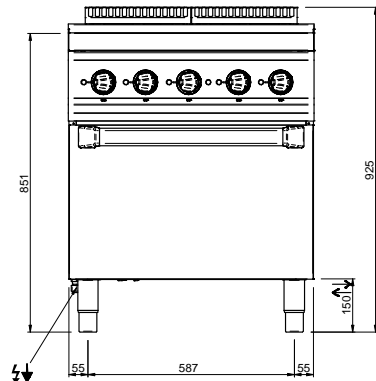
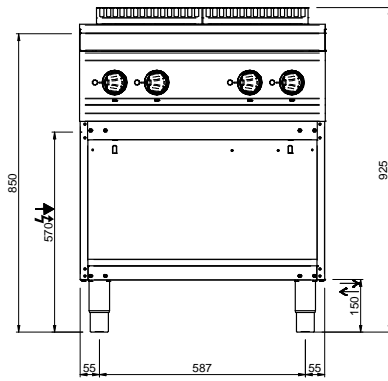
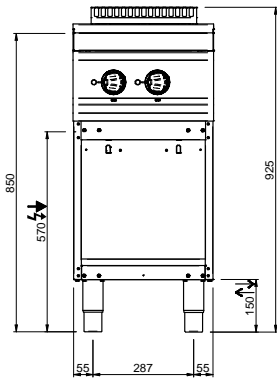
External dimensions - WxDxH (cm)	70x71,4x85
Nr. Plates 2,5 kW	2

### ADDITIONAL TECHNICAL DATA:

Total power (kW)	8,6
Supply (N)	400V 3N 50/60Hz
Weight (kg)	76
Volume (m3)	0,8

The sealed 6 mm ceramic top offers high cleaning comfort thanks to the flat surface and cleanability of the glass. It is watertight fixed to the worktop, preventing any liquid infiltration. 1 mm worktop in AISI 18/10 stainless steel. Excellent alignment with joints.

Glass Ceramic: The heat is produced by means of electric elements underneath and transmitted by diffusion. Independent temperature regulation for each cooking area, with 3 different power levels. Indicator lights show when each hotplate is active.



LEGENDA SIMBOLI / LEGEND



INGRESSO GAS / GAS INLET  
(EN 10226-1) Ø M 1/2"



INGRESSO ACQUA /  
WATER INLET Ø M 1/2"



ATTACCO EQUIPOTENZIALE /  
EQUIPOTENTIAL



ALIMENTAZIONE ELETTRICA /  
POWER SUPPLY



SCARICO ACQUA / OLII  
WATER / OILS DRAIN



REGOLAZIONE PIEDINI /  
FEET ADJUSTMENT (h 0/+50)  
/ TOP VERSION (h 0/+5)