



DOMINA PRO 700 - CHARCOAL GRILL

PLG74T



CHARCOAL GRILL TOP

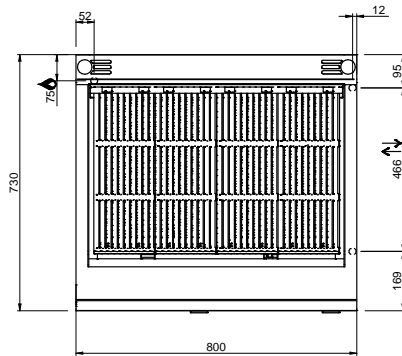
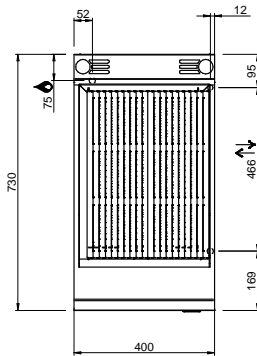
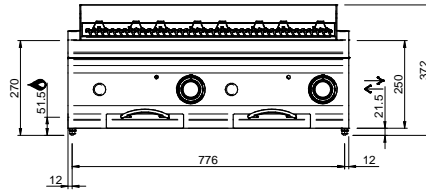
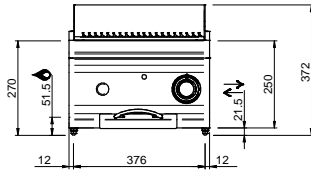
TECHNICAL DATA:

External dimensions - WxDxH (cm)	40x73x25
Total power (kW)	7,5
IPX5	●

ADDITIONAL TECHNICAL DATA:

Grid dimensions - WxD (cm)	35,2x47,5
Nr. Burners Nr. Burners 7.5 kW	1
Weight (kg)	36
Volume (m3)	0,2

The cooking grid is cast iron made, double face meat/fish. An extractable stainless steel drawer collects grease during cooking. Full moduls (80 cm) have independent heating elements to allow different cooking.



LEGENDA SIMBOLI / LEGEND



INGRESSO GAS / GAS INLET
(EN 10226-1) Ø M 1/2"



ALIMENTAZIONE ELETTRICA /
POWER SUPPLY



INGRESSO ACQUA /
WATER INLET Ø M 1/2"



SCARICO ACQUA / OLII
WATER / OILS DRAIN



ATTACCO EQUIPOTENZIALE /
EQUIPOTENTIAL



REGOLAZIONE PIEDINI /
FEET ADJUSTMENT (h 0/+5)