



DOMINA PRO 700 - CHARCOAL GRILL

PLG78A



CHARCOAL GRILL ON OPEN STAND

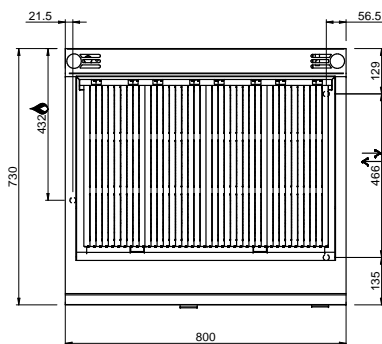
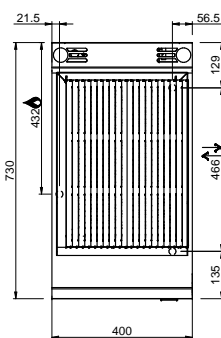
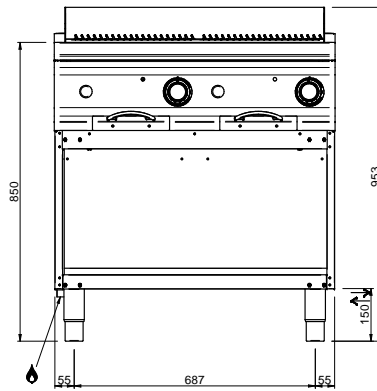
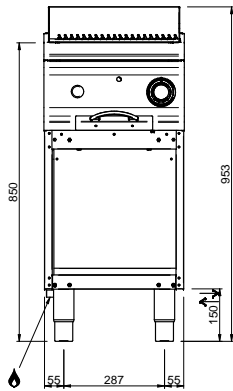
TECHNICAL DATA:

External dimensions - WxDxH (cm)	80x73x85
Total power (kW)	7.5+7.5=15
IPX5	●

ADDITIONAL TECHNICAL DATA:

Grid dimensions - WxD (cm)	(35,2x47,5)*2	
Nr. Burners	Nr. Burners 7.5 kW	2
Weight (kg)		98
Volume (m3)		0,8

The cooking grid is cast iron made, double face meat/fish. An extractable stainless steel drawer collects grease during cooking. Full moduls (80 cm) have independent heating elements to allow different cooking.



LEGENDA SIMBOLI / LEGEND



INGRESSO GAS / GAS INLET
(EN 10226-1) Ø M 1/2"



ALIMENTAZIONE ELETTRICA /
POWER SUPPLY



INGRESSO ACQUA /
WATER INLET Ø M 1/2"



SCARICO ACQUA / OLII
WATER / OILS DRAIN



ATTACCO EQUIPOTENZIALE /
EQUIPOTENTIAL



REGOLAZIONE PIEDINI /
FEET ADJUSTMENT (h 0/+50)