



DOMINA PRO 700 - CHARCOAL GRILL

**PLG78T**



## CHARCOAL GRILL TOP

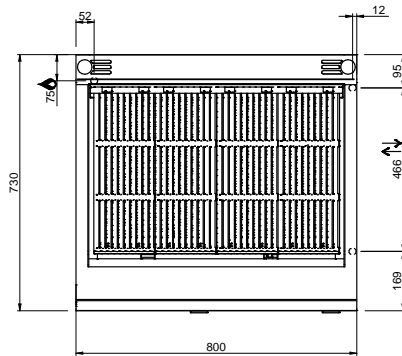
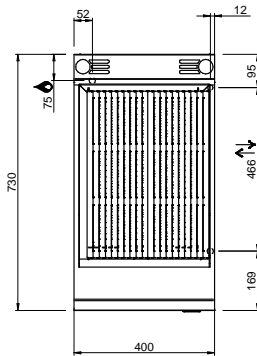
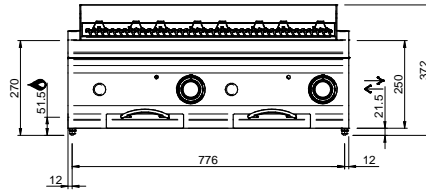
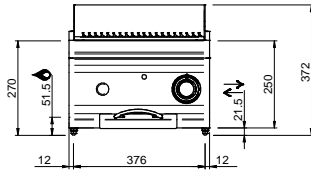
### TECHNICAL DATA:

External dimensions - WxDxH (cm)	80x73x25
Total power (kW)	7.5+7.5=15
IPX5	■

### ADDITIONAL TECHNICAL DATA:

Grid dimensions - WxD (cm)	(35,2x47,5)*2
Nr. Burners Nr. Burners 7.5 kW	2
Weight (kg)	74
Volume (m3)	0,3

The cooking grid is cast iron made, double face meat/fish. An extractable stainless steel drawer collects grease during cooking. Full moduls (80 cm) have independent heating elements to allow different cooking.



LEGENDA SIMBOLI / LEGEND



INGRESSO GAS / GAS INLET  
(EN 10226-1) Ø M 1/2"



ALIMENTAZIONE ELETTRICA /  
POWER SUPPLY



INGRESSO ACQUA /  
WATER INLET Ø M 1/2"



SCARICO ACQUA / OLII  
WATER / OILS DRAIN



ATTACCO EQUIPOTENZIALE /  
EQUIPOTENTIAL



REGOLAZIONE PIEDINI /  
FEET ADJUSTMENT (h 0/+5)