



GAS

PRO SERIES | RANGE MATCH

IMPERIAL



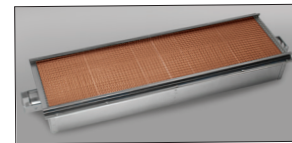
IRCM-36 CHEESE MELTER BROILER

Model Numbers

IRCM-24 IRCM-60
IRCM-36 IRCM-72
IRCM-48 IRCM-84

IHCM-36 CHEESE MELTER

- Cheese melters with Infrared Burner. Reinforcement channels and single high shelf are required for range mount.
- Spec Series units



PROFESSIONAL CHEESE MELTER BROILER

- 40,000 BTU Infra-red single control burner.
- Protective wire mesh screen covers the burner.
- Heavy duty spring and slide out mechanism for easy maneuvering of the tray.
- Welded frame assembly

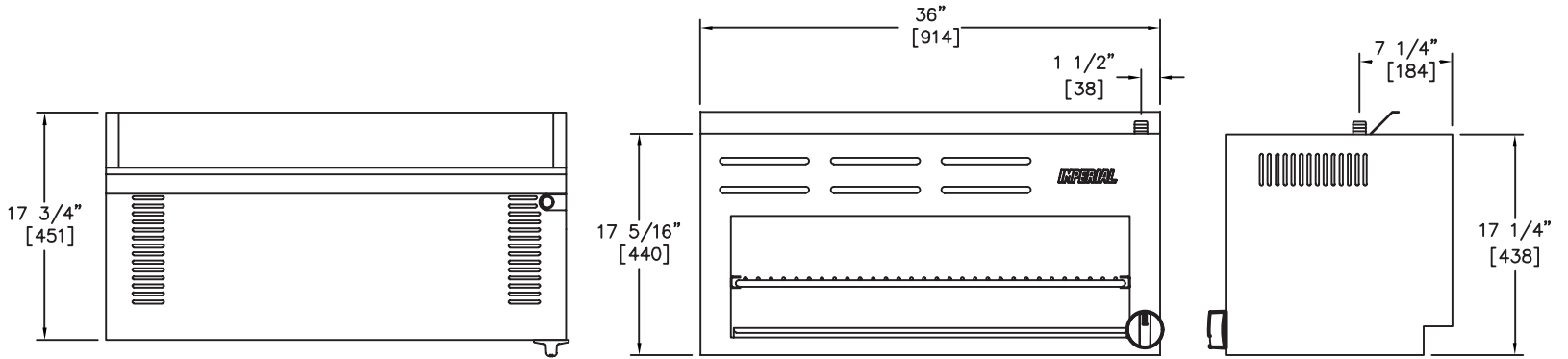
EXTERIOR FEATURES

- Designed and built with heavier gauge 304 stainless steel for durability and long service life.
- Newly designed die cast metal knobs for ease of use.
- Heavy guage rack assembly



GAS

PRO SERIES | RANGE MATCH



CHEESE MELTER BROILERS

MODEL	DESCRIPTION	GAS OUTPUT BTU	GAS OUTPUT KW	SHIP WEIGHT KG	SHIP WEIGHT LBS
IRCM-24	24" (610) INFRA-RED	20,000	6	48	105
IRCM-36	36" (914) INFRA-RED	40,000	10	75	162
IRCM-48	48" (1219) INFRA-RED	40,000	12	95	208
IRCM-60	60" (1524) INFRA-RED	60,000	16	125	275
IRCM-72	72" (1829) INFRA-RED	70,000	21	152	335
IRCM-84	84" (2134) INFRA-RED	80,000	23	184	405

CHEESE MELTER ACCESSORIES

- Counter top installation, leg kit
- 2 ea. Reinforcement Channels to mount the IRCM on a range
- One point 3/4" gas connection from IRCM to IR range. Specify IR Range model.
- Pass-thru Cheesemelters are available for an additional charge.
- Stainless Steel, top, bottom, front and sides for IRCM is standard.
- Extra Racks:
24" (610), 36" (914), 48" (1219), 60" (1524), 72" (1829), 84" (2134)
- Wall mount brackets per set: 24" (610), 36" (914) and 48" (457), 60" (1524) and 72" (1829), 84" (2134)
- Infra-red burner with a protective screen.

MODEL	DIMENSIONS	CRATED DIMENSIONS
IRCM-24	24" W X 17-3/4" D X 19" H 610MM X 451MM X 483MM	26" W X 19-3/4" D X 21" H 660MM X 502MM X 508MM
IRCM-36	36" W X 17-3/4" D X 19" H 915MM X 451MM X 483MM	38" W X 19-3/4" D X 21" H 965MM X 502MM X 508MM
IRCM-48	48" W X 17-3/4" D X 19" H 1219MM X 451MM X 483MM	50" W X 19-3/4" D X 21" H 1270MM X 502MM X 508MM
IRCM-60	60" W X 17-3/4" D X 19" H 1524MM X 451MM X 483MM	62" W X 19-3/4" D X 21" H 1575MM X 502MM X 508MM
IRCM-72	72" W X 17-3/4" D X 19" H 1828MM X 451MM X 483MM	74" W X 19-3/4" D X 21" H 1879MM X 502MM X 508MM
IRCM-84	84" W X 17-3/4" D X 19" H 2133MM X 451MM X 483MM	86" W X 19-3/4" D X 21" H 2184MM X 502MM X 508MM

