

Integrated icemaker for healthcare applications



Features

Integrated ice machine with bin. Up to 425 lb (193 kg) of production and 75 lb (34 kg) of storage capacity. Perfect for space limited facilities. Less than 24.00" (61.0 cm) wide, the integrated icemaker will provide the capacity you need in a small footprint.

- up to 75 lb (34 kg) of ice storage capacity
- less than 24.00" (61.0 cm) wide
- Undercounter application without the legs: 33.00" (83.8 cm) tall unit will fit under standard counters. Teflon glides allow it to slide easily into place.
- Freestanding: 39.00" (99.1 cm) tall with legs.

Ice Production	Ice type	V/Hz/Ph	Item number
425 lb (193 kg)	Micro Chewblet™	220/60/1	UMC425A80
		115/60/1	UMD425A80†
		230/50/1	UME425A80
	Flake	220/60/1	UFC425A80
		115/60/1	UFD425A80
		230/50/1	UFE425A80

† ENERGY STAR® certified

Flake ice is the preferred ice for blood banks, clinical labs, rehab and medical research

- high surface area of flake ice chills quickly, maintains samples at desired temperature
- holds test tubes and lab vials securely, even when ice is melting
- molds well in ice bag and rehab applications for best skin contact and swelling control

Efficient dependable design

- stainless steel evaporator, auger and top bearing provides durability
- oversized, heavy duty, tapered roller bearing ensures long low-maintenance life
- semi-automatic cleaning cycle reduces maintenance costs
- regular flushing improves ice quality and reduces scale

Lower utility bills

- energy-efficient, no costly defrost cycles
- 25% less energy than comparable capacity cube machines
- 40% less water than comparable capacity cube machines

Designed for easy installation and service

- front ventilated - no side clearance required
- rear utility access allows for rear electrical and plumbing connection with no rear clearance required
- bin and shroud may be removed for service and maintenance

Warranty

- 3 years parts and labor, 5 years compressor parts



Follett LLC
801 Church Lane | Easton, PA 18040, USA
1.610.252.7301 | Fax: +1.610.250.0696 | follettice.com

Follett Europe Polska Sp. z o.o.
Mokry Dwór 26C 83-021 Wiślnia, Poland
Phone: +48 (58) 785-6140 | Fax: +48 (58) 785-6159
folletteurope.com



Job

Item

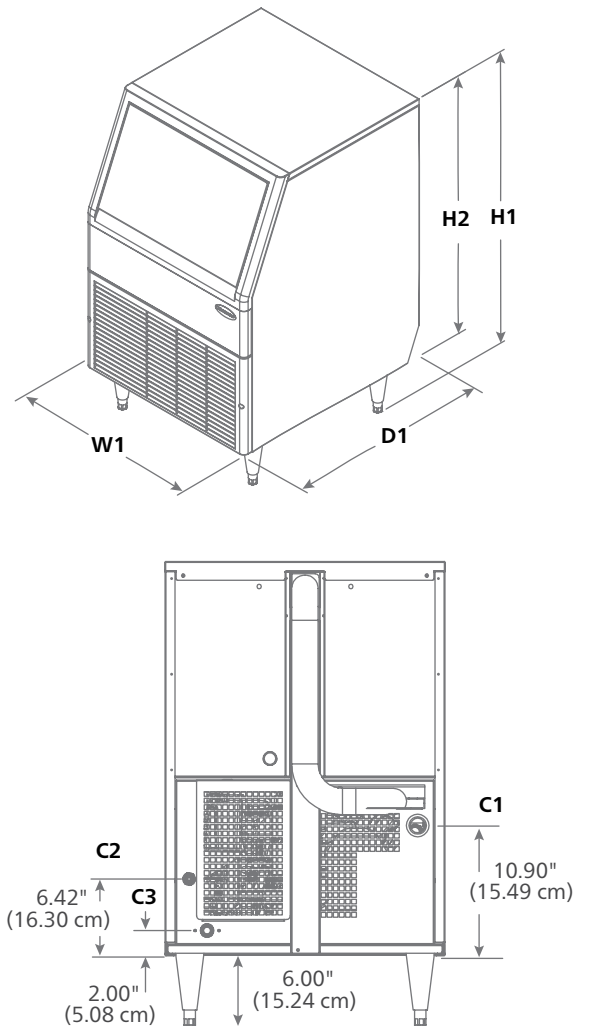
Specification

Ice storage capacity	75 lb (34 kg)
W1 Width	23.50" (59.7 cm)
D1 Depth	26.00" (66.0 cm)
H1 Height with legs	39.00" (99.0 cm)
H2 Height without legs	33.00" (83.8 cm)
Service and ventilation clearance	front ventilated - no side, top or back clearance required
Utility connection location	back
C1 Electrical 115 V/60/1	8 amps, 7' (2 m) cord, NEMA 5-15 plug
C1 Electrical 220 V/60/1	4 amps, cord only
C1 Electrical 230 V/50/1	4 amps, cord only
C2 Potable water inlet	3/8" push in
C3 Drain	3/4" MPT when unit is installed without legs, floor drain must be within 6' (1.8 m)
Air temperature	50 - 100 F (10 - 38 C)
Water temperature	40 - 90 F (4 - 32 C)
Potable water pressure	10 - 70 psi (69 - 483 kpa) 0.7 Bar - 5 Bar max
Ice production at 70 F (21 C) air and 50 F (10 C) water	425 lb (193 kg)
Ice production at 90 F (32 C) air and 70 F (21 C) water	325 lb (147 kg)
Energy consumption 90 F (32 C) air; 70 F (21 C) water	5.4 kWh
Heat rejection	5,000 BTU/hr
Water consumption	12.0 gal (45.4 L) of potable water per 100 lb (45.4 kg) of ice
Approximate ship weight	185 lb (84 kg)

NOTE: For indoor use only. Designed for commercial use. Follett is not able to provide in-house services for residential installations.

SHORT FORM SPECIFICATION: Ice machine to be Follett model number _____. Voltage/Hertz/Phase to be _____. Ice machine to be air-cooled. Ice machine production to be approximately 425 lb (193 kg) per day of _____ Micro Chewblet or _____ flake ice at air temp of 70 F (21 C) and water temp of 50 F (10 C). Ice storage capacity of up to 75 lb (34 kg). Ice machine to use environmentally responsible R404a refrigerant. Ice machine to have stainless steel evaporator, auger, top bearings, heavy duty tapered roller bearings, and low water safety circuit. NSF, ETL and CE listed depending on voltage requirement.

Dimensional drawing



ENERGY STAR and the ENERGY STAR mark are registered trademarks owned by the U.S. Environmental Protection Agency.
Micro Chewblet is a trademark of Follett LLC.
Follett is a registered trademark of Follett LLC, registered in the US.
Follett reserves the right to change specifications at any time without obligation. Certifications may vary depending on country of origin.

Integrated icemaker for healthcare

Form #6420 12/17
© Follett LLC



Follett LLC
801 Church Lane | Easton, PA 18040, USA
1.610.252.7301 | Fax: +1.610.250.0696 | folletteurope.com

Follett Europe Polska Sp. z o.o.
Mokry Dwór 26C 83-021 Wiślina, Poland
Phone: +48 (58) 785-6140 | Fax: +48 (58) 785-6159
folletteurope.com

FOLLETT



Shown with SensorSAFE™



Symphony Plus™ ice and water dispenser

12 CI series countertop with Chewblet® ice machine

Features

Narrow, 16.12" (40.9 cm) width

12 lb (5.4 kg) ice storage capacity

Integral air-cooled ice machine with up to 425 lb (193.0 kg) daily production of Chewblet ice

- soft, chewable, compressed nugget ice is preferred over cubes¹ and is ideal for patient care
- Quiet Night™ sleep mode turns off ice machine when idle

Designed with sanitation in mind

- automatic self-flushing of ice machine removes impurities
- drain cup provides internal air gap for added protection of food zone components from drain line contaminants
- Agion® silver-based antimicrobial provides protection of key ice and water contact components²
- one-hand lever or SensorSAFE infrared ice dispense

Dependable design, easy to service and clean

- cleaning and sanitizing of entire machine takes only 1 hour
- LED control board provides at-a-glance machine status
- panels are easily removed for accessibility to all components
- ice machine parts are common across all Symphony Plus dispensers
- stainless steel evaporator and auger deliver long life

Environmentally responsible

- meets Consortium for Energy Efficiency Tier 2 specifications
- R404a refrigerant has zero ozone depletion potential
- continuous ice making process uses less electricity and water

Durable, attractive dispenser

- stainless steel cabinet with accent trim
- poly drain pan, grille and dispenser lid are corrosion-resistant

Easy installation

- comes fully assembled and installs with three easy connections – electric, water and drain

Warranty

- 3 years parts and labor, 5 years compressor parts

Accessories

- Base stand with or without factory installed filter (refer to form# 7010)
- 4.00" (10.16 cm) leg kit (item# AF10LBLEGS)
- Pressurized water sanitizing kits (refer to form# 6830)
- SafeCLEAN Plus™ ice machine cleaner
 - 6 x 8 oz (237 ml) bottles (item# 01149954)
 - Carton of 24 x 8 oz (237 ml) bottles (item# 01149962)
- Nu-Calgon® IMS-III sanitizer, 16 oz (0.5 L) bottle (item# 00979674)
- Additional filters (refer to form# 9905 and 8320)
- Additional Symphony Plus accessories (refer to price list)

SensorSAFE infrared dispense (optional)



SensorSAFE not recommended for use with clear containers or for applications in direct sunlight

Model configurations

Ice storage capacity	Dispense	Ice machine cooling	Item number
12 lb (5.4 kg)	Lever	air	12CI425A-L
	SensorSAFE	air	12CI425A-S

Ice-only available, add -I
Example: 12CI425A-LI

Ice production

Temperatures air/water	70/50 F (21/10 C)	90/70 F (32/21 C)
Air-cooled	425 lb (193.0 kg)	325 lb (147.6 kg)
Energy consumption per 100 lb (45.4 kg) ice	N/A	6.0 kWh air-cooled
Water consumption	12.0 gal (45.4 L) of potable water per 100 lb (45.4 kg) of ice	

Job _____

Item _____

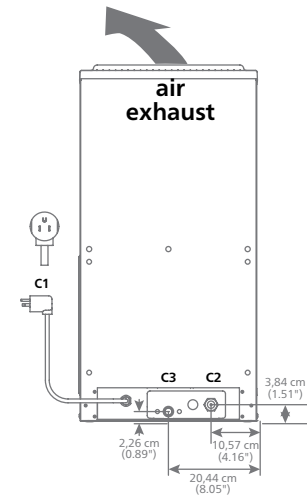
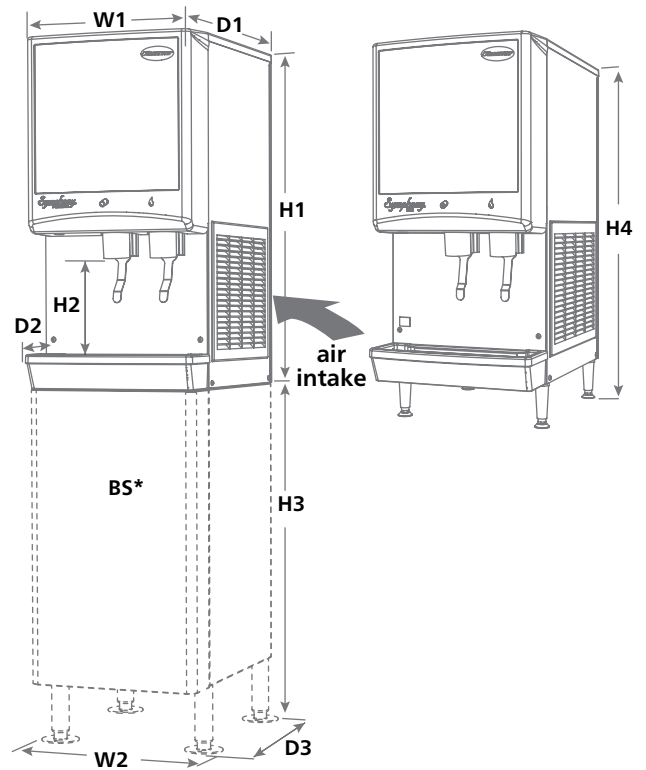
Specification

Ice storage capacity	12 lb (5.4 kg)
W1 Width	16.12" (40.9 cm)
W2 Width, base stand accessory	17.50" (44.4 cm)
D1 Depth, entire dispenser	23.50" (59.7 cm)
D2 Depth, drain pan	5.50" (13.97 cm)
D3 Depth, base stand accessory	22.00" (55.9 cm)
H1 Height, dispenser	32.50" (82.6 cm)
H2 Dispense height clearance	9.38" (23.83 cm)
H3 Height, base stand accessory	33.00" (83.8 cm)
H4 Height, leg kit accessory	36.64" (93.1 cm)
Ventilation clearance	6.00" (15.24 cm) top and right side
Service clearance	12.00" (30.5 cm) top
Utility connection location	through back or bottom
C1 115 V/60/1 electrical	11 amps, 0.8 kW 8.5' (2.6 m) cord w/ NEMA 5-15 90° hospital-grade plug
C2 Potable water inlet	3/8" FPT
C3 Drain	3/4" MPT
Air temperature	50 - 100 F (10 - 38 C)
Water temperature	45 - 90 F (7 - 32 C)
Water pressure	10 - 70 psi (69 - 483 kpa)
Heat rejection	5000 BTU/hr
Approximate net weight	144 lb (65 kg)
Approximate ship weight	199 lb (90 kg)
Approximate ship weight, base stand accessory	80 lb (36 kg)

NOTE: For indoor use only

SHORT FORM SPECIFICATION: (Choose one) ___ Ice and water or ___ ice-only dispenser to be Follett® automatic load in countertop configuration, with 12 lb (5.4 kg) of storage and separate ice and water chutes. Environmentally responsible R404a air-cooled ice machine to have 24 hour production capacity of approximately 425 lb (193.0 kg) of Chewblet compressed nugget ice at water temp. of 70 F (21 C); air temp. of 50 F (10 C). Ice machine equipped with automatic self-flushing and Quiet Night sleep mode. Dispenser to have automatic bin level control to start and stop ice machine. Storage area insulated with CARB compliant non-HFC foam. 8.5' (2.6 m) cord and NEMA 5-15 90° hospital grade plug provided. NSF and ETL listed.

Dimensional drawing



BS* – Base stand sold separately; measurements shown are with base stand legs at lowest position.

See dispenser detail sheet, form# 6675, for counter cutouts.

¹ Independent third party studies. Contact Follett for details.

² Disclaimer: Antimicrobial protection is limited to the treated components and does not treat water or ice.

Agion is a registered trademark of Sciescent LLC.

SYMPHONY PLUS, SENSORSAFE, SAFECLEAN PLUS and QUIET NIGHT are trademarks of Follett LLC.

CHEWBLET and FOLLETT are registered trademarks of Follett LLC, registered in the US.

Follett reserves the right to change specifications at any time without obligation. Certifications may vary depending on country of origin.

12 CI series countertop