

MagiKitch'n®

Project _____

Item No. _____

Quantity _____

Model MKE Electric Griddle 24", 36", 48", 60" and 72"



**ENERGYSTAR® Models



MKE36

STANDARD FEATURES

- 1" (2.5 cm) thick polished griddle plate
- Large 3.75 gallon grease box (two on 72" model)
- Front grease trough, fully welded grease chute
- Tapered splash back
- Double walled stainless sides
- Electric thermostat
- 5.7 kW/12", thermostatically controlled every 12".
- 4" legs (can be removed for flush mounting)

OPTIONS & ACCESSORIES (AT ADDITIONAL COST)

- Solid State thermostat maintains temperature between 150°F and 550°F.
- Chrome griddle plate (includes scraper, spatula, Palmetto brush, and MagiKitch'n griddle cleaner)
- Griddle plate with Left and Front grease trough
- Griddle plate with Rear grease trough
- Removable Griddle Divider
- Service Shelf available in 8", 10" or 12" depth
- Pan cutouts for 1/6 -1/9 pan on 10" or 12" shelf
- Towel bar with or without service shelf
- Cutting board for 10" or 12" shelf (specify length)
- NSF approved, Stainless steel griddle stand with legs
 - Stand with optional casters.
- 6 foot, 60 Amp cord(s) with NEMA 15-60P Plug. (208V OR 240V three phase only. 2 are required for MKE48,60, or 72)

STANDARD SPECIFICATIONS CONSTRUCTION

- Heavy 1" (2.5 cm) thick polished griddle plate
 - *Optional:* Chrome plated top with mirror finish
- Side skirting fully welded around plate perimeter
- Extra smooth 11 ga. skirt finish for ease of cleaning
- Tapered splash back with no debris contour
- Wide 3-1/2" (8.9 cm) spatula wide front grease trough
- Grease chute is fully welded to stop grease migration
- Large 3.75 gal (14ltr) grease box with quick lift handle
- Grease box splash zone compartment
- Double walled and reinforced stainless steel sides
- Solid panel cabinet base for flush mount capability
- Easy to remove cabinet back for easy cleaning
- No exposed fasteners allowing easy cleanup
- Incoloy sheathed elements pressure clamped to bottom of griddle plate
- ON/OFF SW with each temperature control

MODELS

- MKE24 (11.4 kW)
- MKE36** (17.1 kW)
- MKE48** (22.8 kW)
- MKE60** (28.5 kW)
- MKE72** (34.2 kW)

CONTROLS

- Standard Electric thermostat maintains temperature between 200°F and 550°F.
- All temperature probes are embedded into the plate for faster response time and more accurate surface temperatures.



Model MKE Electric Griddle 24", 36", 48", 60" and 72"



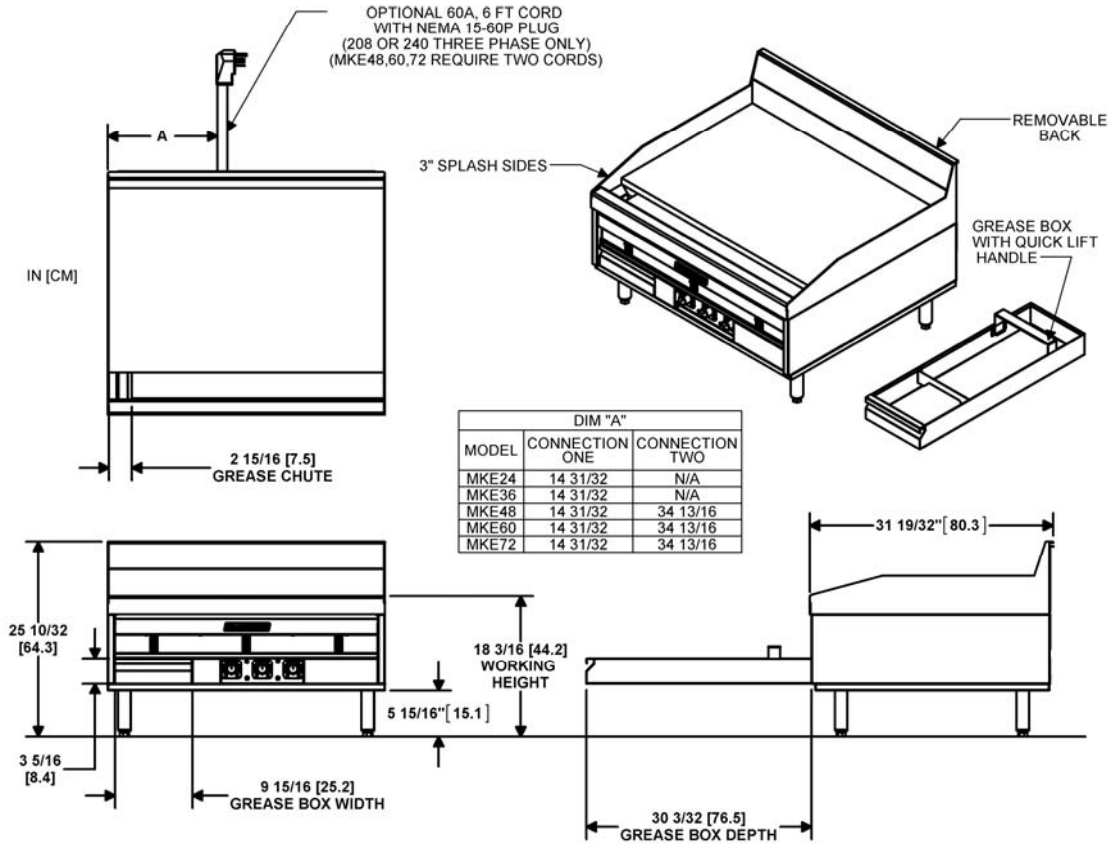
MagiKitch'n • P.O. Box 501, Concord, NH 03302-0501 • 509 Route 3A, Bow, NH 03304
603-225-6684 • FAX: 603-225-8497 • www.magikitch'n.com

L10-356 Rev 1 10/11

Printed in the USA

Model MKE Electric Griddle 24", 36", 48", 60" and 72"

Model MKE Electric Griddle 24", 36", 48", 60" and 72"



INDIVIDUAL GRIDDLE SPECIFICATIONS					SHIPPING INFORMATION (Approximate)		
Model	Cooking Area	Control #	Width	Grease Box	Shipping Weight	Shipping Crate Size H x W x L	Shipping Cube
MKE24	24 x 23-3/4 in (61x60cm)	2	24" (61cm)	Left	309 Lbs (140kg)	33 x 23 x 38 in (84 x 58 x 97 cm)	16.7 ft ³ 0.5 m ³
MKE36	24 x 35-3/4 in (61x90cm)	3	36" (91cm)	Left	465 Lbs (211kg)	34 x 43 x 40 in (87 x 109 x 102 cm)	33.8 ft ³ .96 m ³
MKE48	24 x 47-3/4 in (61x121cm)	4	48" (122cm)	Left	615 Lbs (280 kg)	34 x 55 x 40 in (87 x 140 x 102 cm)	43.3 ft ³ 1.6 m ³
MKE60	24 x 59-3/4 in (61x151cm)	5	60" (152cm)	Left	775Lbs (352 kg)	43 x 43 x 74 in (109 x 109 x 188 cm)	79.2 ft ³ 2.2 m ³
MKE72	24 x 71-3/4 in (61x182cm)	6	72" (183cm)	Left & Right	855 Lbs (388 kg)	43 x 43 x 74 in (109 x 109 x 188 cm)	79.2 ft ³ 2.2 m ³

(1) MKE Griddle and Stands are shipped separately (consult factory for shipments with equipment stands)

ELECTRICAL REQUIREMENTS			Nominal Amps Per Line (50/60 hz)										
			Single Phase (2 wire+ground wire)				3 Phase (3 wire+ground wire)				3 Phase "Y" (4 wire+ground wire)		
Model	Total kW	Volts	200V	208V	220V	240V	200V	208V	220V	240V	380/220V	400/230V	415/240V
MKE24	11.4	MAX AMPS PER PHASE	52.7 (10.5 kW)	54.8	43.5 (9.6 kW)	47.5	30.4 (10.5 kW)	31.6	25.1 (9.6 kW)	27.4	14.6 (9.6 kW)	15.1 (10.5 kW)	15.9
MKE36	17.1		79.0 (15.8 kW)	82.2	65.3 (14.4 kW)	71.3	45.6 (15.8 kW)	47.5	37.7 (14.4 kW)	41.1	21.8 (14.4 kW)	22.7 (15.7 kW)	23.8
MKE48*	22.8		52.7 (21.1 kW)	54.8	43.5 (19.2 kW)	47.5	30.4 (21.1 kW)	31.6	25.1 (19.2 kW)	27.4	14.6 (19.2 kW)	15.1 (20.9 kW)	15.9
MKE60*	28.5		79.0 (26.3 kW)	82.2	65.3 (23.9 kW)	71.3	45.6 (26.3 kW)	47.5	37.7 (23.9 kW)	41.1	21.8 (23.6 kW)	22.7 (26.2 kW)	23.8
MKE72*	34.2		79.0 (31.6 kW)	82.2	65.3 (28.7 kW)	71.3	45.6 (31.6 kW)	47.5	41.1 (31.3 kW)	41.1	21.8 (28.7 kW)	22.7 (31.4 kW)	23.8

*These models require Two Power Supplies

SHORT FORM SPECIFICATION

Provide MagiKitch'n electric griddle. Griddle shall be a single 1" thick steel griddle top unit with no debris tapered splash back. Smooth 11 ga. sides with 3-1/2" (8.9cm) wide fully welded front grease trough and chute. Large 3.75gal (14ltr) grease box with quick lift handle. Stainless steel double panel sides and cabinet base. Provide Options & Accessories as follows:



MagiKitch'n • P.O. Box 501, Concord, NH 03302-0501 • 509 Route 3A, Bow, NH 03304

603-225-6684 • FAX: 603-225-8497 • www.magikitch'n.com L10-356 Rev 1 10/11 Printed in the USA
We reserve the right to change specifications without notice and without incurring any obligation for equipment previously or subsequently sold.