

FS-AW2/3/4/5

AMBIENT CUPBOARD WITH CHILLED WELL AND LED ILLUMINATED GANTRY

Flexi-Serve mobile ambient cupboard with chilled well. Available in 4 size options. The stainless steel top accommodates between 2 and 5 1/1 GN pans at 150mm deep. 1/1 GN eutectic plates provide up to 2 hours chilled service - no power required.

Use as a single servery or combine with other Flexi-Serve modules to create your perfect counter layout. Flexi-Serve can be further customised using a selection of accessories and bespoke finishes to maximise function, style and branding.



FLEXI SERVE

MADE IN BRITAIN

Model Specification	FS-AW2	FS-AW3	FS-AW4	FS-AW5
Dimensions (w x d x h) mm	860x700x900	1160x700x900	1495x700x900	1830x700x900
Temperature Range (°C)	N/A	N/A	N/A	N/A
Total Power KW)	0.01	0.02	0.02	0.03
Plug Type	13 Amp	13 Amp	13 Amp	13 Amp
Weight Packed (kg)	96	136	150.5	191.5
Weight Unpacked (kg)	86	108	128.5	169.5
Dimensions incl. Gantry & Trayslide	860x983x1440	1160x983x1440	1495x983x1440	1830x983x1440

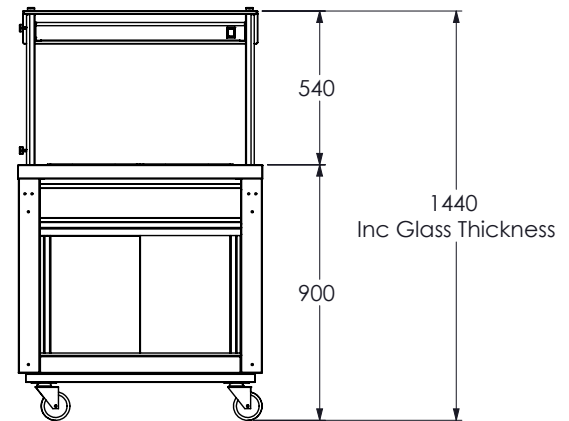
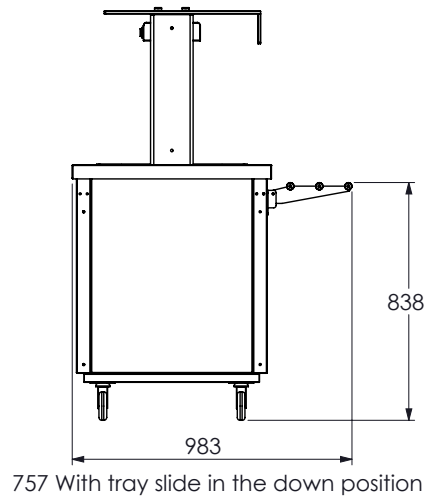
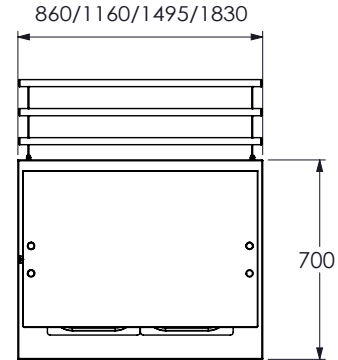
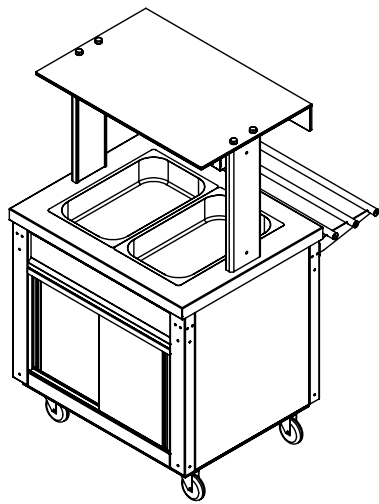
FEATURES

- Stainless steel plain top provides large work or display area
- Ambient cupboard with rodded shelves provides generous storage and is GN compatible
- Removable cupboard shelves and supports makes cleaning easier, shelves fit in a dishwasher
- Various colours of fascia panels available
- Adjustable cupboard shelf positions offers increased flexibility and capacity when required
- Narrow 700mm width fits easily through doorways
- 4 locking castors makes it easy to move for cleaning or storage
- Tubular tray slide supplied as standard

AMBIENT CUPBOARD WITH CHILLED WELL AND LED ILLUMINATED GANTRY

FS-AW2 LINE DRAWING

Dimensions in mm



AVAILABLE ACCESSORIES

- Island glass or Assisted glass at an additional cost