



CF350WH

Dimensions (mm)	External	Internal
Height	840	
Width	1030	
Depth	755	
Capacity (ltr)		
Gross		350
Net		269



CF450WH

Dimensions (mm)	External	Internal
Height	840	
Width	1270	
Depth	755	
Capacity (ltr)		
Gross		450
Net		354



CF550WH

Dimensions (mm)	External	Internal
Height	840	
Width	1530	
Depth	755	
Capacity (ltr)		
Gross		550
Net		439



CF650WH

Dimensions (mm)	External	Internal
Height	840	
Width	1810	
Depth	755	
Capacity (ltr)		
Gross		650
Net		537

Features

White laminated exterior including lid; stippled aluminium interior

Roll bond maintenance free condenser

Lock fitted as standard

Rollers fitted as standard

Replaceable door gasket

Additional Extras

B9-BASKET - Basket for CF450/550/650

B9-GASKET450 - Gasket for CF450

B9-GASKET550 - Gasket for CF550

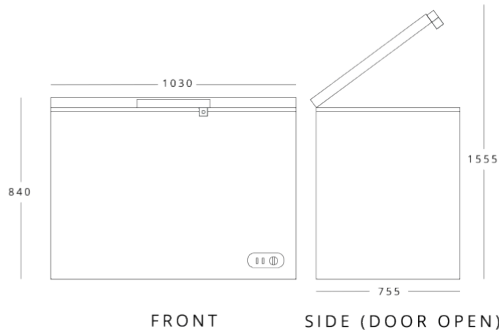
B9-GASKET650 - Gasket for CF650



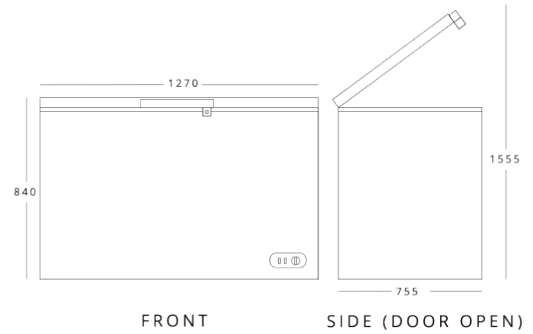
Technical Specification

	CF350WH	CF450WH	CF550WH	CF650WH
Temperature Range	-18°C ~ -22°C	-18°C ~ -22°C	-18°C ~ -22°C	-18°C ~ -22°C
Climate Class	4	4	4	4
Power Supply	13amp	13amp	13amp	13amp
Cooling	Static	Static	Static	Static
Defrost	Manual	Manual	Manual	Manual
Noise Level	48db	48db	48db	48db
Refrigerant	R600a	R600a	R600a	R600a
Energy Efficiency Class	F	F	F	F
Energy Consumption (kw/24hrs)	0.71	0.81	0.92	0.97
Power Usage (w)	64	138	161	161
Weight (kg)	57.5	65.5	75	83.5

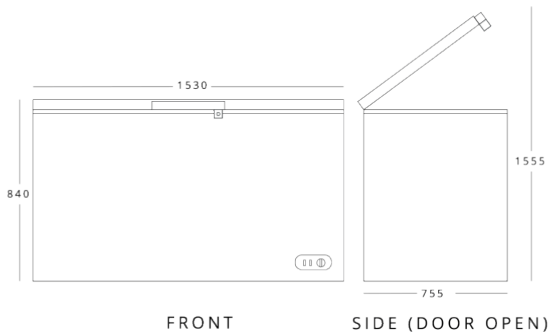
CF350WH



CF450WH



CF550WH



CF650WH

