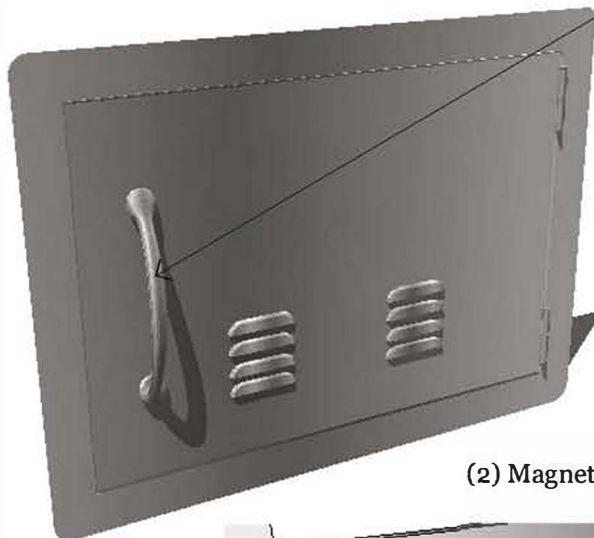


Large Handle
Made of Zinc
Alloy, Chrome
Plated



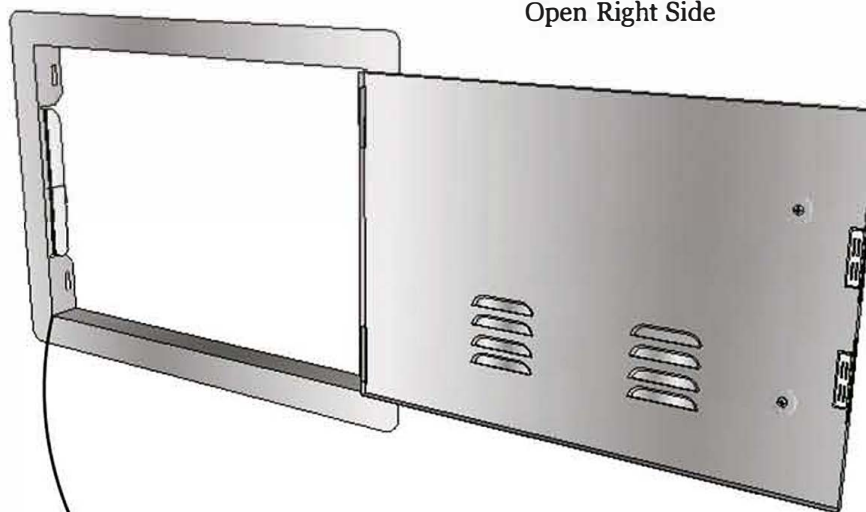
(2) Magnets, to securing door



0.63cm Frame Flange

Bottom Vents, for low Laying Gases

Open Right Side



Open 180 Degree



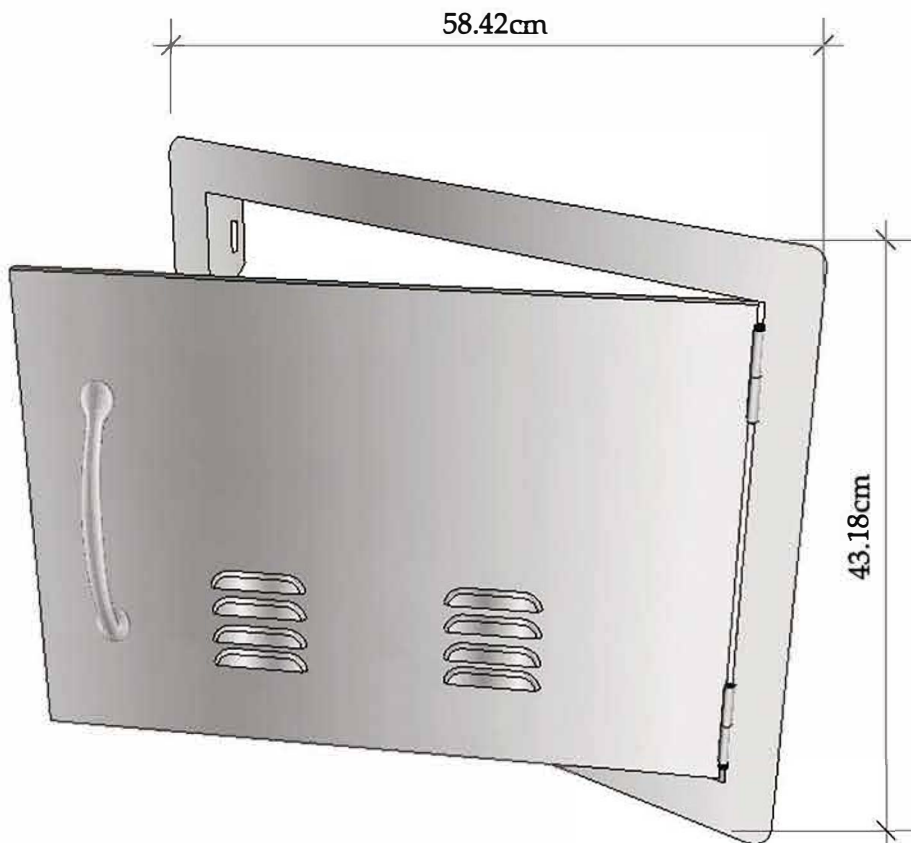
Av. Combatentes do Ultramar, 184
2715-776 Lameiras, Sintra,
Portugal
Tel: (+351) 219 670 073
Email: info@sunstoneoutdoorkitchens.com

PRODUCT
Horizontal Door
Item No. A-DH1420

DESCRIPTION
Horizontal Single
Door with Bottom Vents

Horizontal Door
Product Size (cm): 58,4 W x 43,1 H
Cut Out (cm): 51,4 W x 36,1 H
Weight (kg): 4,99
Material Specifications:
16 Gauge 304 Stainless Steel,
Handles are made of Zinc Alloy,
Chrome Plated.

Product Dimensions



Cut-out Dimensions

