

Av. Combatentes do Ultramar, 184
2715-776 Lameiras, Sintra,
Portugal

Tel: (+351) 219 670 073

Email: info@sunstoneoutdoorkitchens.com

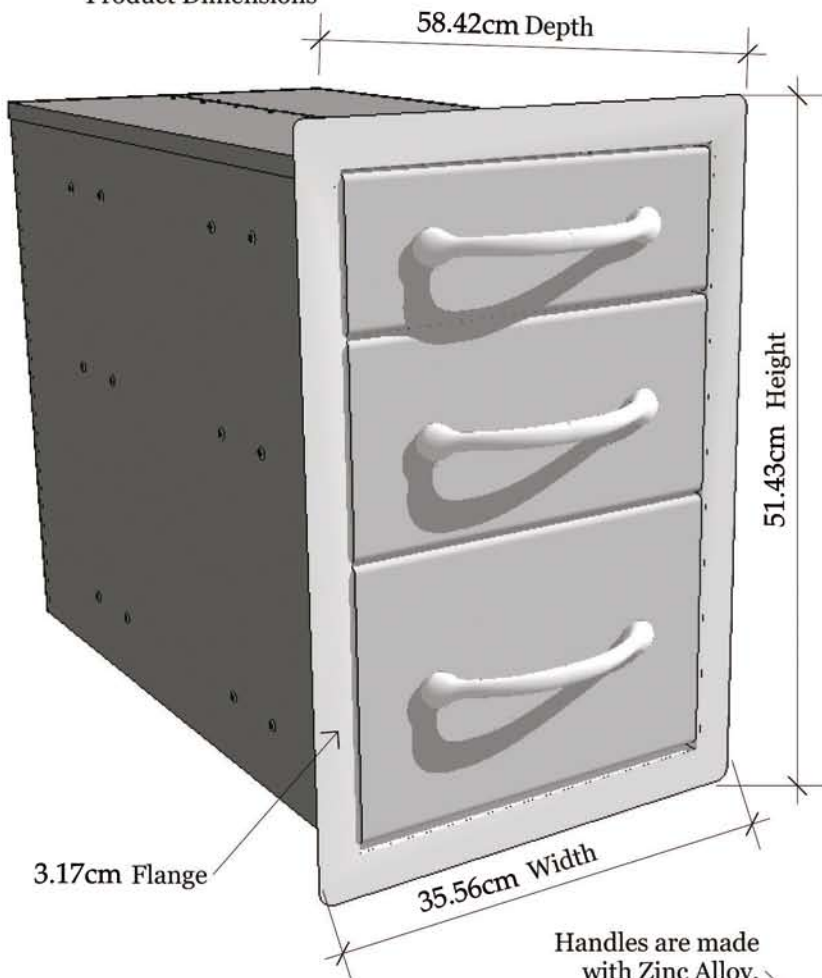
PRODUCT
FLUSH TRIPPLE DRAWER
Item No. B-TD18

DESCRIPTION
FLUSH TRIPPLE DRAWER WITH
SMALL, MEDIUM, AND LARGE
DRAWERS

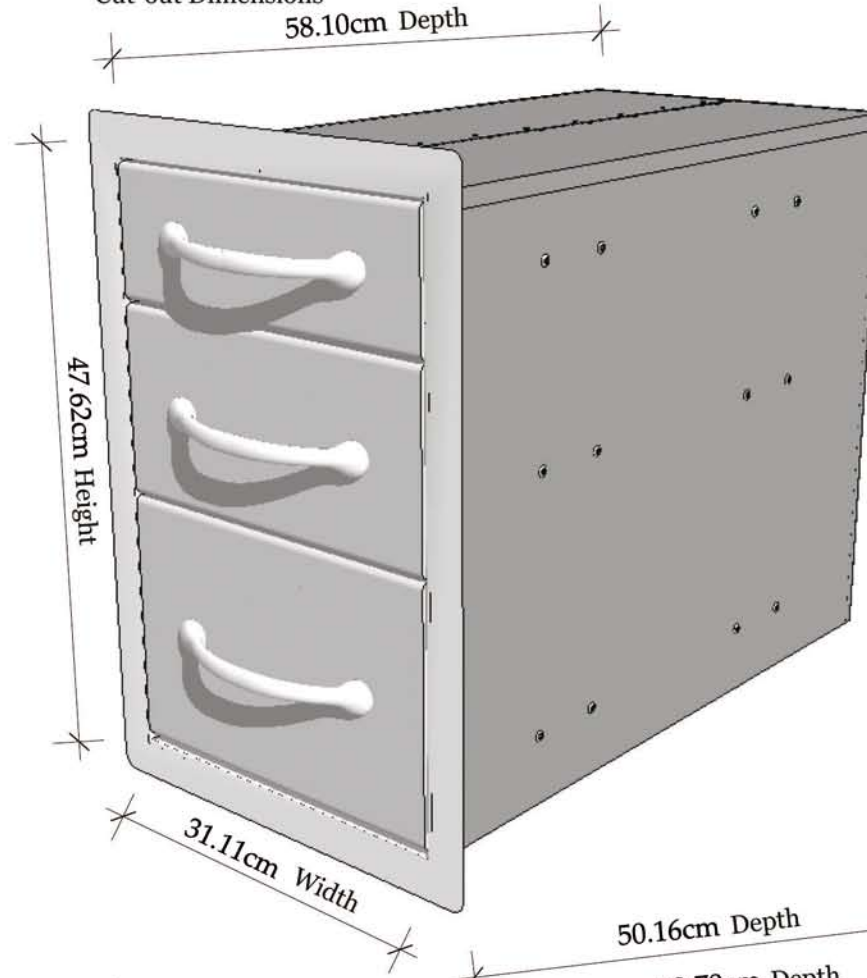
Product Size (cm): 35,5 W x 58,4 D x 51,4 H
Cut Out (cm): 31,1 W x 58,1 D x 47,6 H
Weight (kg): 24,04

Material Specifications:
304 stainless steel Trash Drawer
16 Gauge for Frame.
20 gauge Drawer Cabinet.
18 Gauge Galvanized box
Handles are made of zinc alloy,
chrome plated.

Product Dimensions



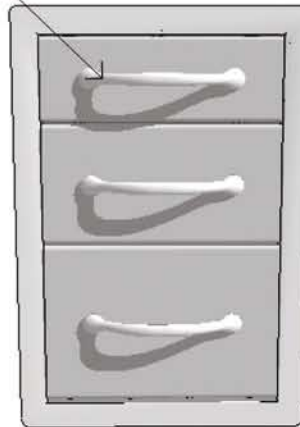
Cut-out Dimensions



Drawer Body Height

Handles are made
with Zinc Alloy,
Chrome Plated

Front View



20.00cm
Drawer
Heights

Drawer Extension

Drawer Body

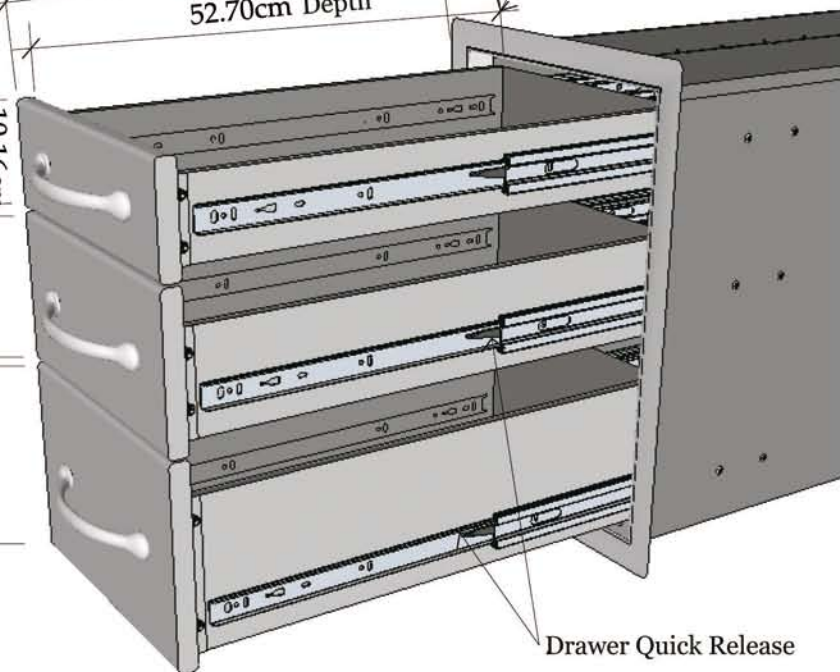
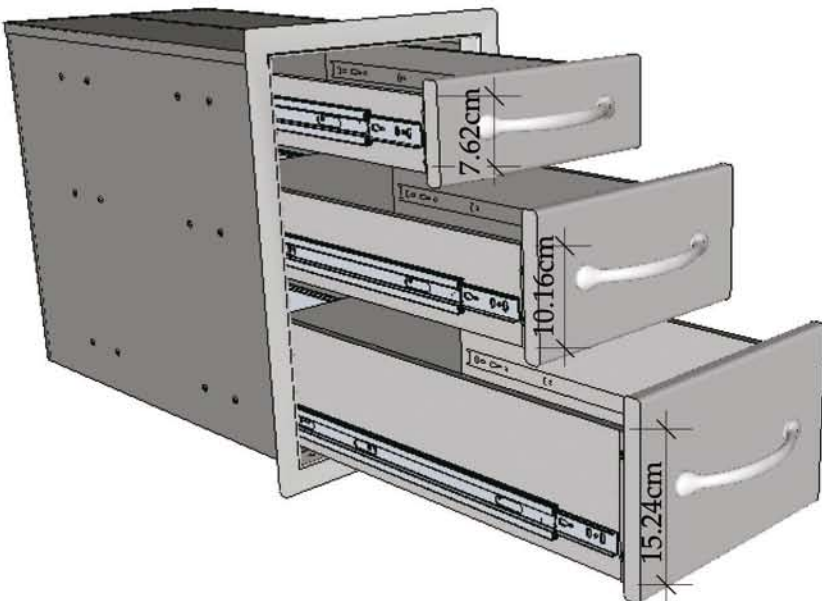
50.16cm Depth

52.70cm Depth

10.16cm

15.24cm

20.00cm



Drawer Quick Release