

# CLASSIC SERIES FLUSH STYLE

**PRODUCT**  
Item No.  
C-VSDR12

**DESCRIPTION**  
Classic Series, Flush Style  
Vented Utility Access Doors  
Left & Right Swing

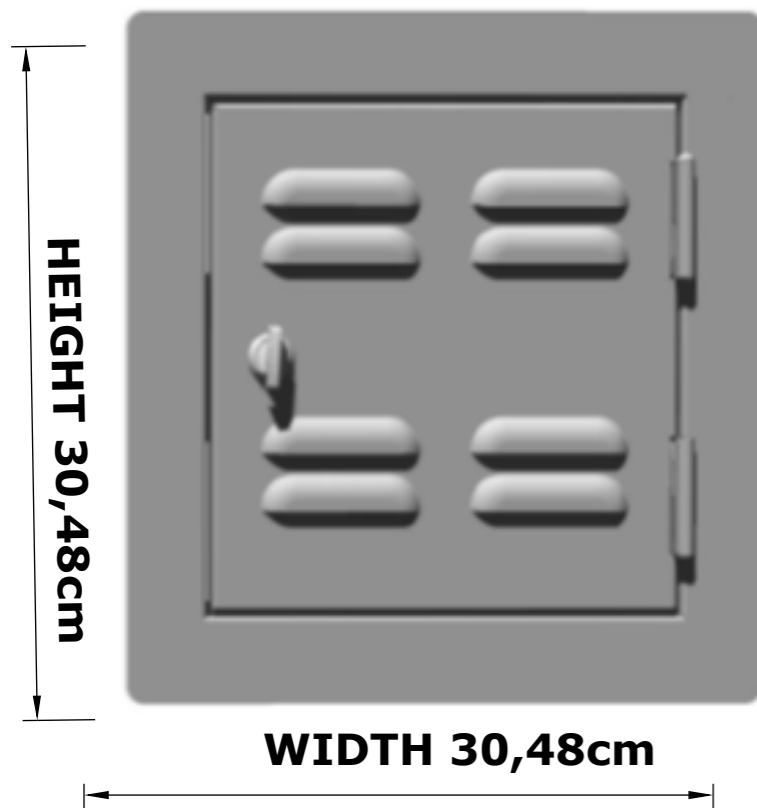


Av. Combatentes do Ultramar, 184  
2715-776 Lameiras, Sintra, Portugal  
Tel: (+351) 219 670 073  
Email: info@sunstoneoutdoorkitchens.com

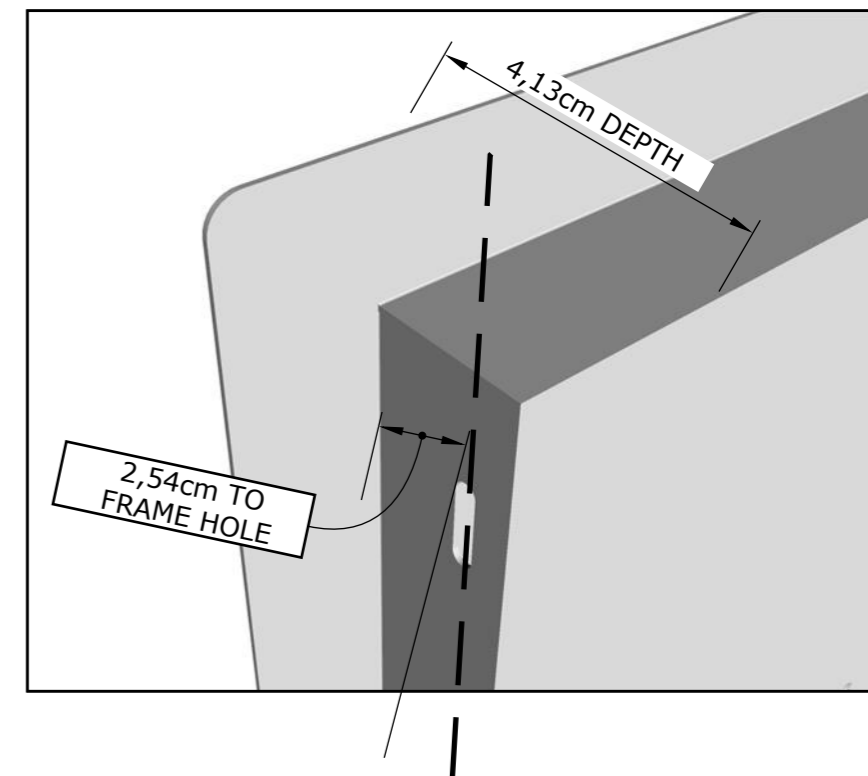
## WARRANTY

- EXTERIOR FINISH -----2 YEARS
- STRUCTURE -----2 YEARS
- HANDLE-----1 YEAR

## PRODUCT OVERVIEW



## PRODUCT DETAILS



## PRODUCT INSTALLATION GUIDE

### PRODUCT SIZE & CUT-OUT DIMENSIONS

**HEIGHT (H) WIDTH (W) DEPTH (D)**

C-VSDR12 30,48cm W X 30,48cm H X 4,13cm D  
(PRODUCT SIZE) 23,5cm W X 23,5cm H (CUT-OUT)

### Material Specifications:

16 Gauge 304 Stainless Steel, Handles are made of Zinc Alloy, Chrome Plated.

