



Av. Combatentes do Ultramar, 184  
2715-776 Lameiras, Sintra, Portugal  
Tel: (+351) 219 670 073  
Email: info@sunstoneoutdoorkitchens.com

**PRODUCT**

Double Door w/  
Shelves

**Item No.** DE-DD36

**DESCRIPTION**

Designer Series, Raised Style  
Double Door w/Shelves

**PRODUCT DIMENSIONS**

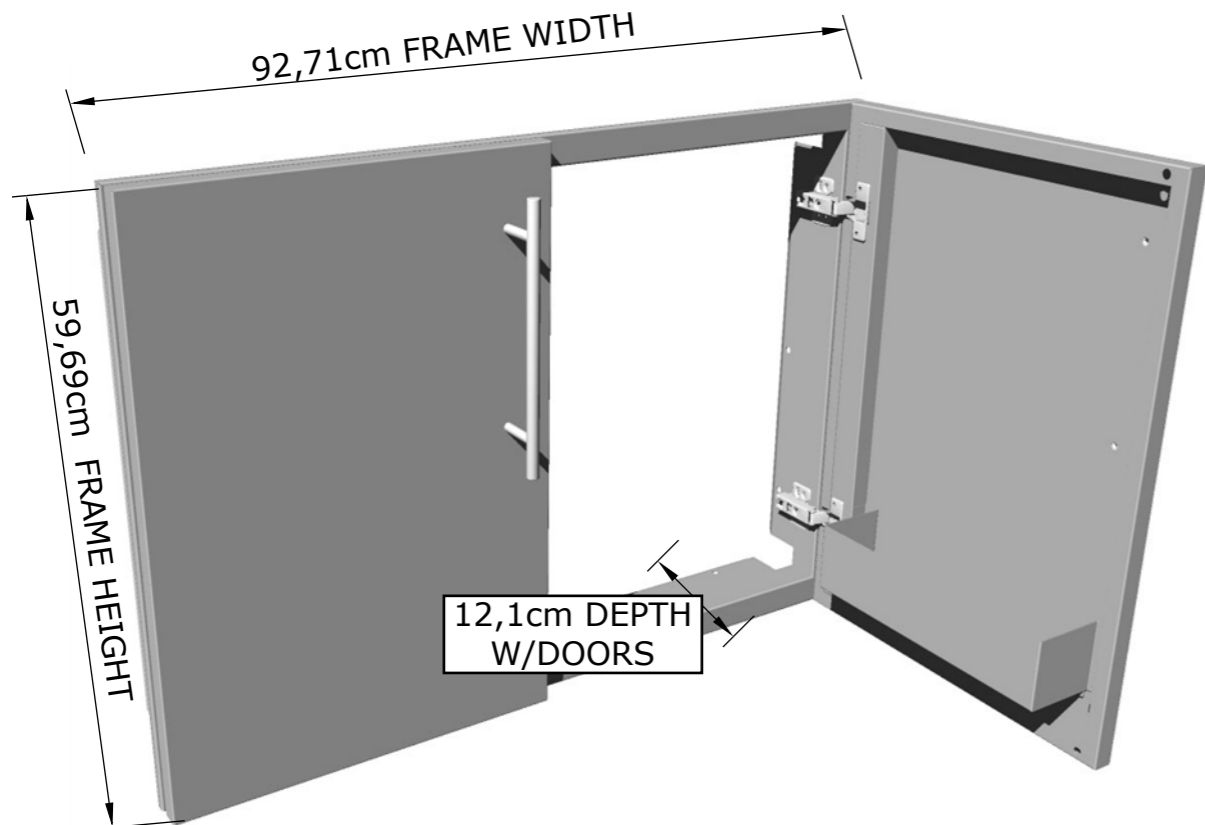
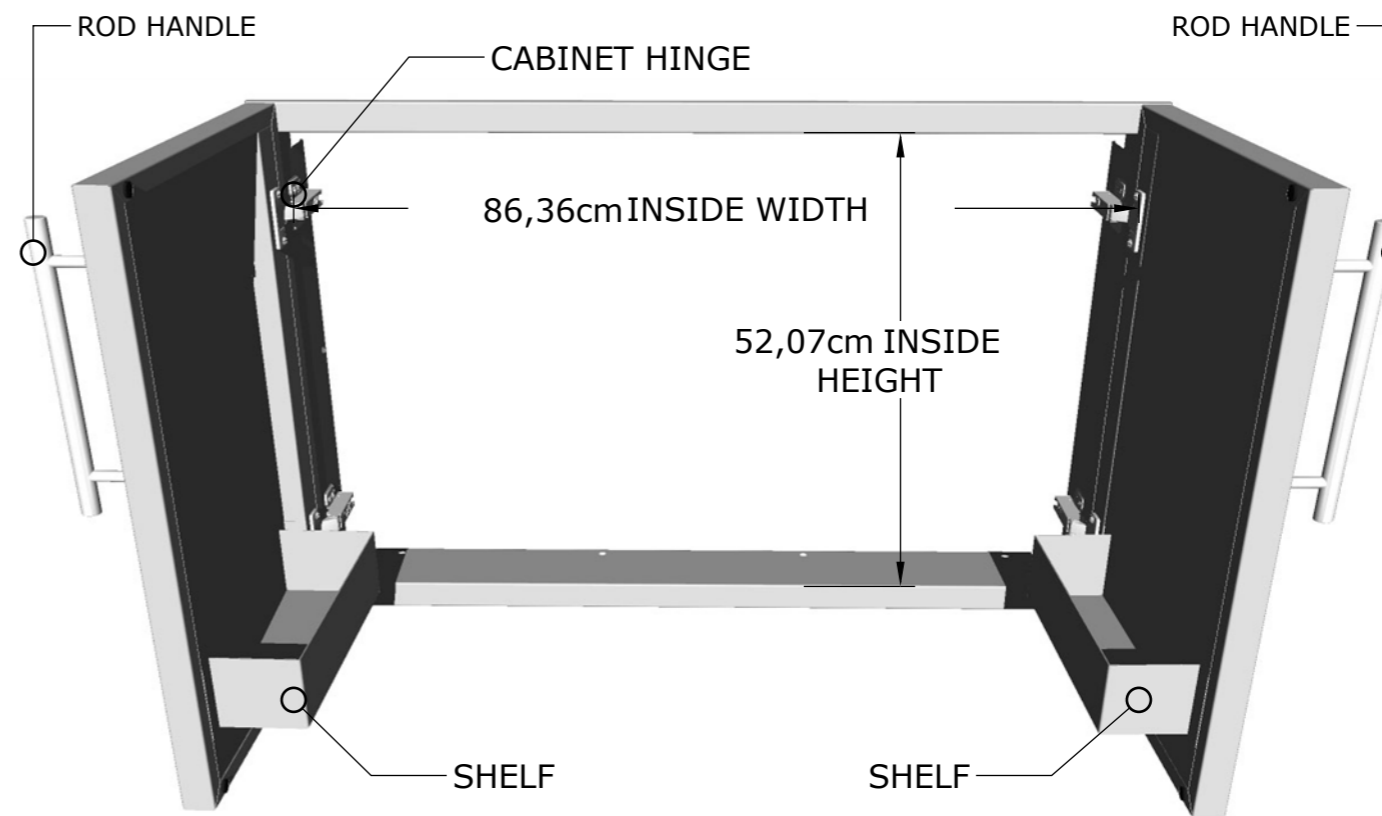
(PRODUCT SIZE) 92,71cm WIDTH  
x 59,69 cm HEIGHT x 12,1cm DEPTH  
(CUT-OUT) 72,39cm WIDTH 55,25cm  
HEIGHT x 8,89cm DEPTH

**SPECIFICATIONS**

Door Frame is made from 16 gauge  
304 Stainless Steel, and door panel  
is made from 18 gauge 304  
Stainless Steel. Handle is Solid 304  
Stainless Steel.

**WARRANTY**

- EXTERIOR FINISH -----2 YEARS
- ROD HANDLES-----2 YEARS
- CABINET HINGE----- 1 YEAR

**Product Dimensions****Product Features****Product Installation**

ISLAND WALL CUT-OUT SIZE IS  
87,63cm WIDTH BY 52,07cm HEIGHT BY 8,89cm DEPTH

**IMPORTANT!!** - ROD HANDLES ARE MOUNTED TO INSIDE OF EACH PANEL, YOU MUST UNSCREW EACH ONE AND MOUNT ON OUTSIDE OF DRAWER OR DOOR PANEL.

See SUNSTONE manufacture website for additional product support and product tutorials:  
[www.sunstoneoutdoorkitchens.com](http://www.sunstoneoutdoorkitchens.com)

**1 . INSERT COMPONENT****2. MOUNT DOOR TO FRAME**