



Av. Combatentes do Ultramar, 184
2715-776 Lameiras, Sintra, Portugal
Tel: (+351) 219 670 073
Email: info@sunstoneoutdoorkitchens.com

PRODUCT

Liquid Propane Triple
Drawer Combo

Item No. DE-LPCTD30

DESCRIPTION

Designer Series, Raised Style
Liquid Propane Combo Triple
Drawer

PRODUCT DIMENSIONS

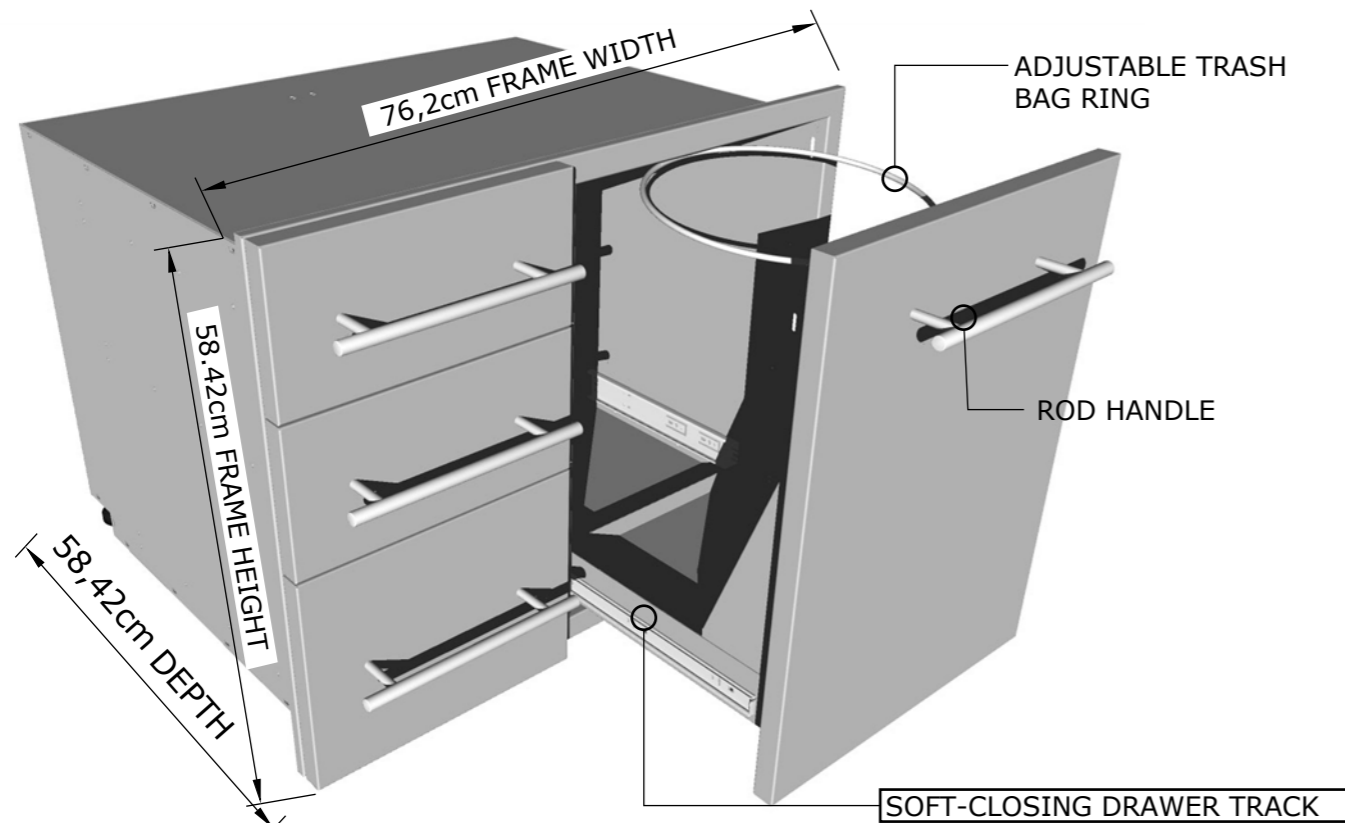
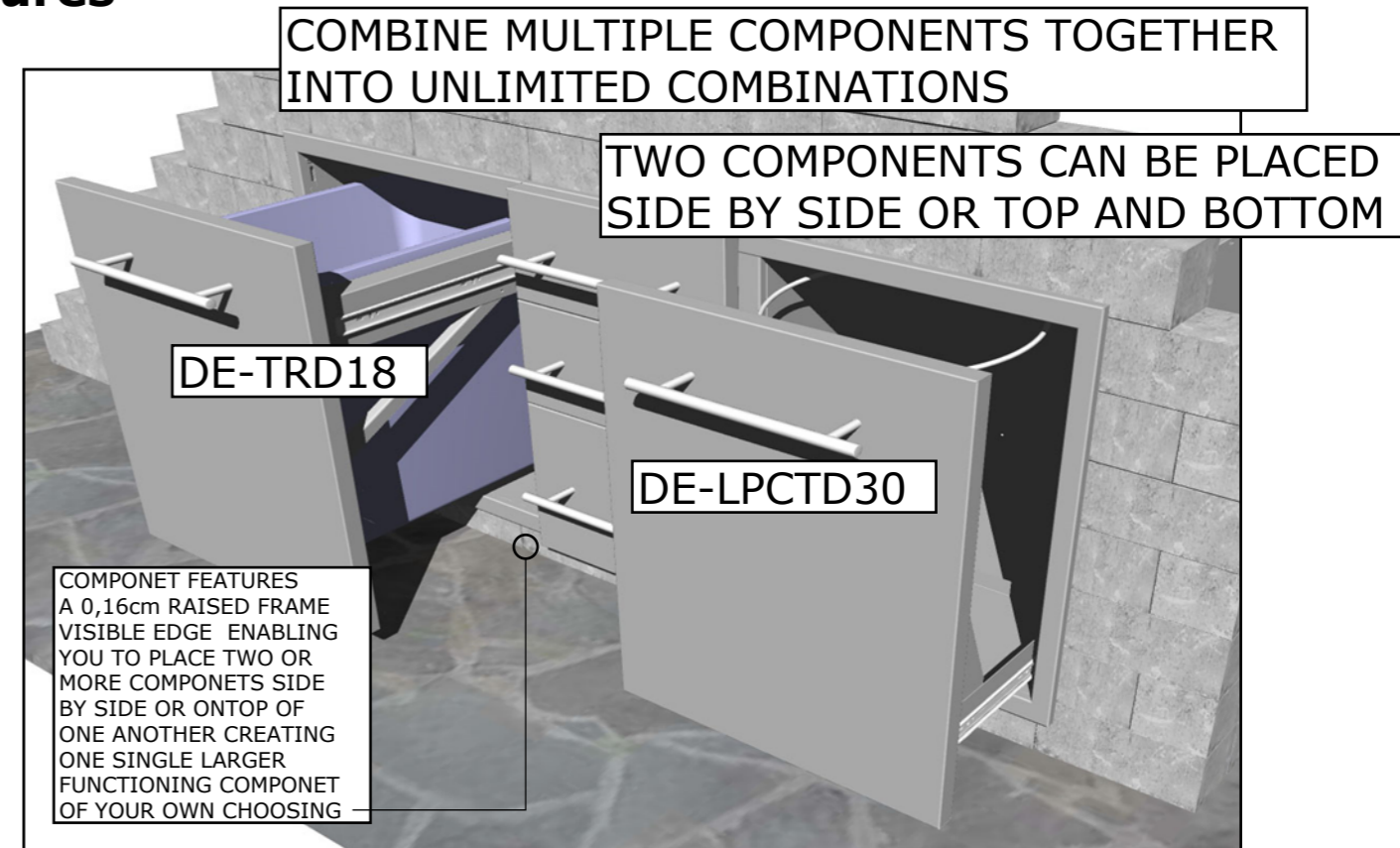
(PRODUCT SIZE) 76,2cm WIDTH
x 58,42cm HEIGHT x 58,42cm DEPTH
(CUT-OUT) 72,39cm WIDTH x
54,61cm HEIGHT x 57,15cm DEPTH

SPECIFICATIONS

Frame is made from 16 gauge 304 SS,
and panel's are made from 18 gauge
304 SS. All Drawer Box's is 20 gauge
201 SS, propane tray is 18 gauge 304
SS. Handle is Solid 304 SS.

WARRANTY

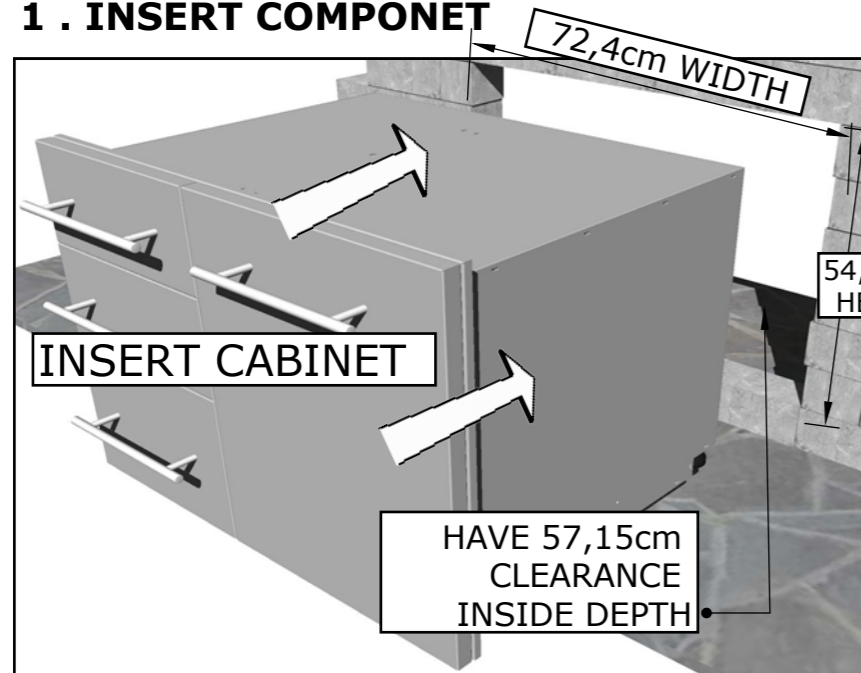
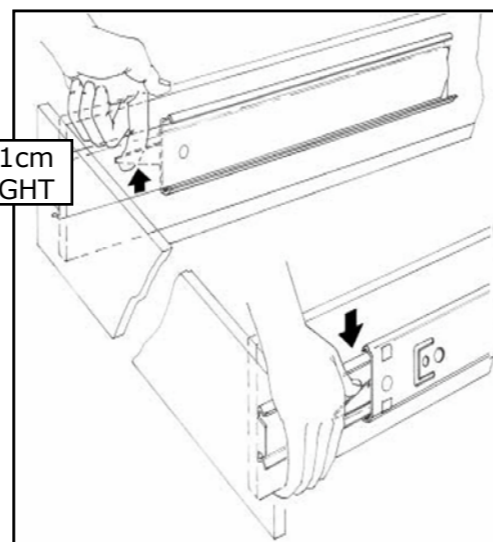
- EXTERIOR FINISH -----2 YEARS
- ROD HANDLES-----2 YEARS
- DRAWER TRACK----- 1 YEAR
- PEG-LEGS----- 1 YEAR

Product Dimensions**Product Features****Product Installation**

ISLAND WALL CUT-OUT SIZE IS
72,4cm WIDTH BY 54,61cm HEIGHT BY 57,15cm DEPTH

IMPORTANT!! - ROD HANDLES ARE MOUNTED TO INSIDE OF EACH PANEL, YOU MUST UNSCREW EACH ONE AND MOUNT ON OUTSIDE OF DRAWER OR DOOR PANEL.

See SUNSTONE manufacture website for additional product support and product tutorials:
www.sunstoneoutdoorkitchens.com

1 . INSERT COMPONENT**2. REMOVE DRAWERS****REMOVE DRAWERS IN ORDER TO MOUNT BOX**

- Pull the drawer fully open so Levers are visible.
- Push "DOWN" on the right lever, and "UP" on the left lever.
- Holding levers in place, pull drawer toward you.

3. MOUNT DRAWER BOX & LOWER LEGS