



Av. Combatentes do Ultramar, 184  
2715-776 Lameiras, Sintra, Portugal  
Tel: (+351) 219 670 073  
Email: info@sunstoneoutdoorkitchens.com

**PRODUCT**

76,2cm Wide x 16,51cm  
Height Single Drawer

**Item No.** DE-SD30

**DESCRIPTION**

Designer Series, Raised Style  
Single Drawer w/Divider & Peg-  
Legs

**PRODUCT DIMENSIONS**

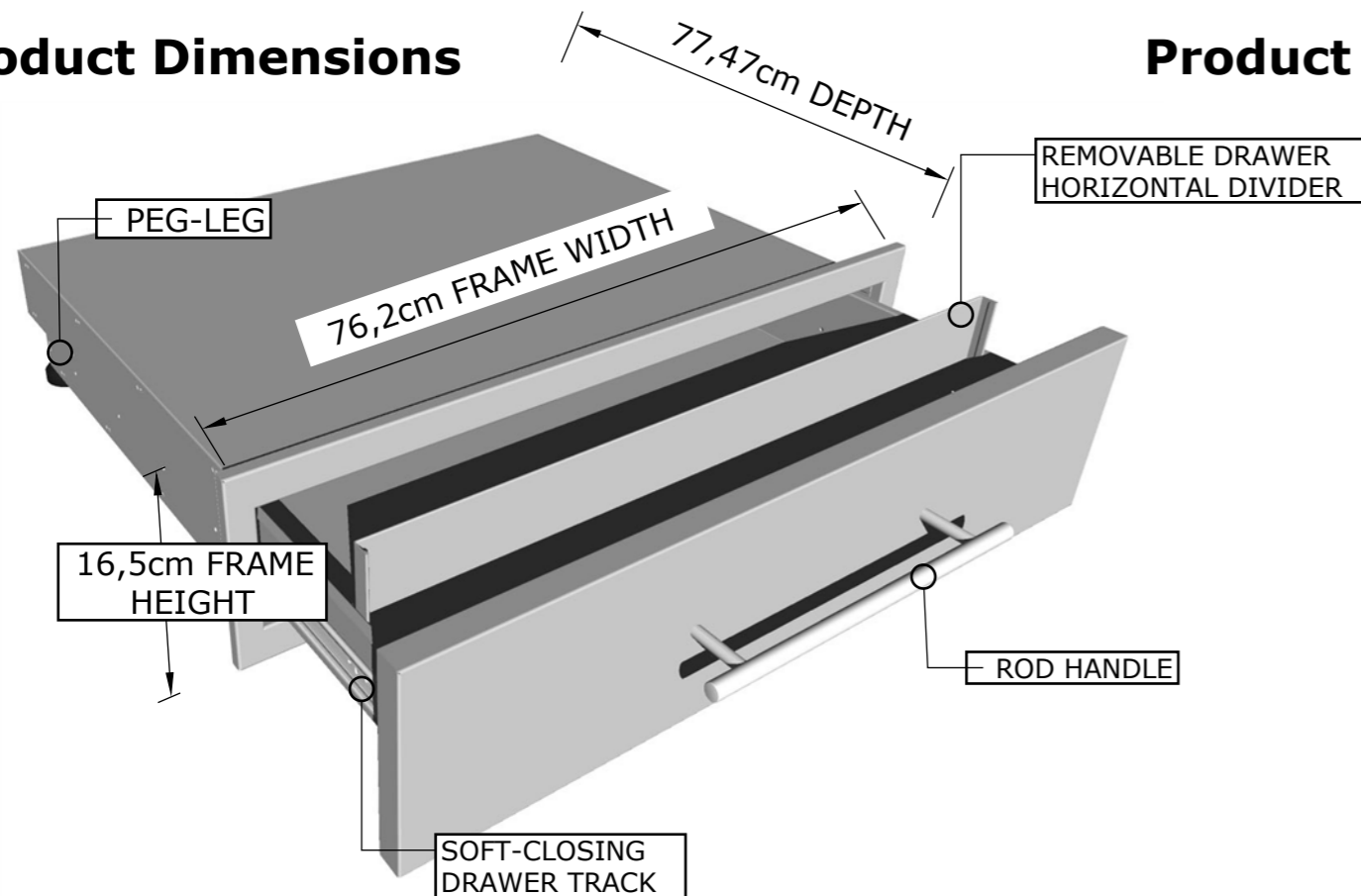
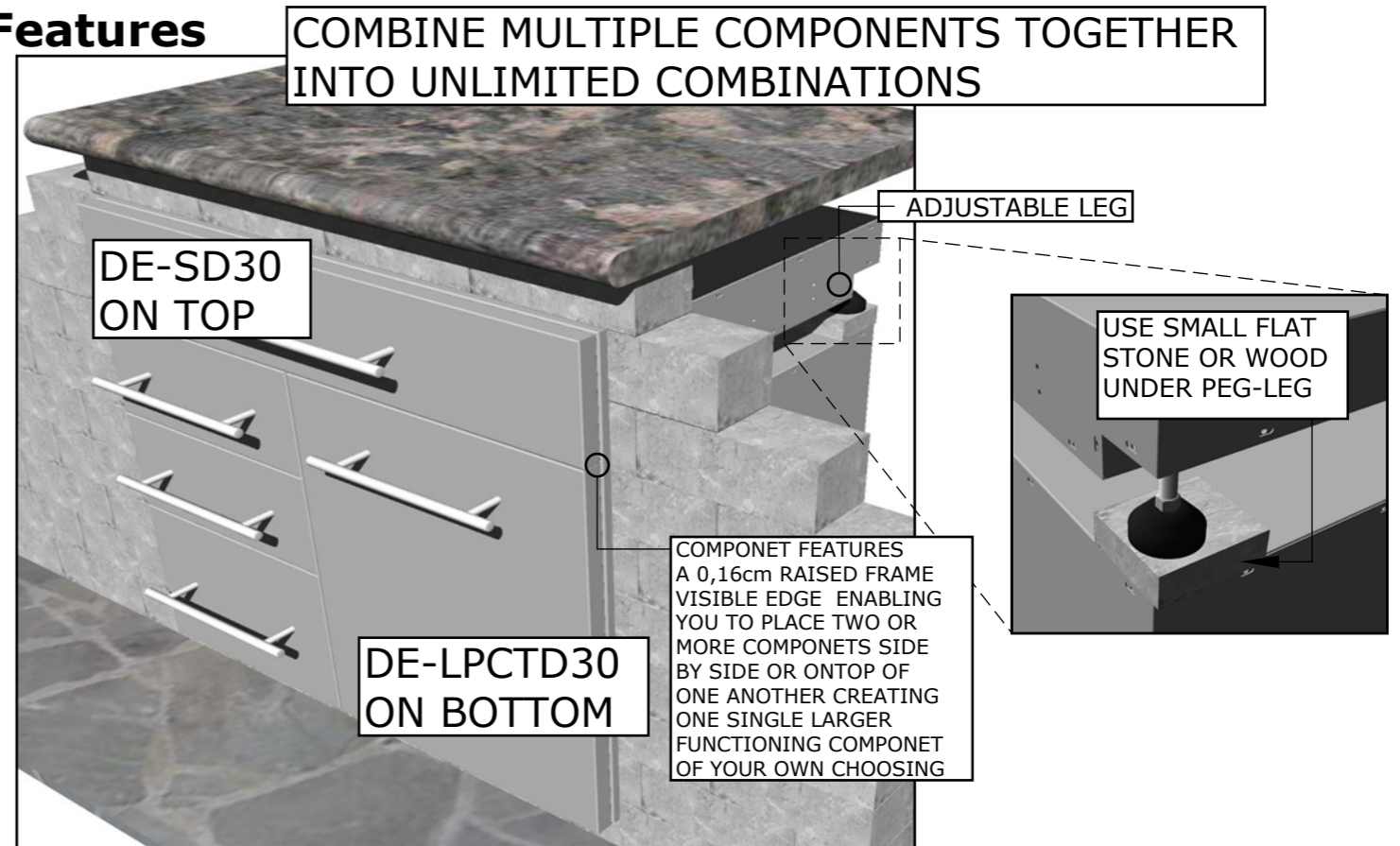
(PRODUCT SIZE) 77,47cm WIDTH x  
16,51cm HEIGHT x 59,69cm DEPTH  
(CUT-OUT) 21,59cm WIDTH x  
14,60cm HEIGHT x 55,88cm DEPTH

**SPECIFICATIONS**

Frame is made from 16 gauge 304 SS,  
and panel's are made from 18 gauge  
304 SS. Inside Drawer Box is made with  
20 gauge 201 SS. Handle is Solid 304  
SS.

**WARRANTY**

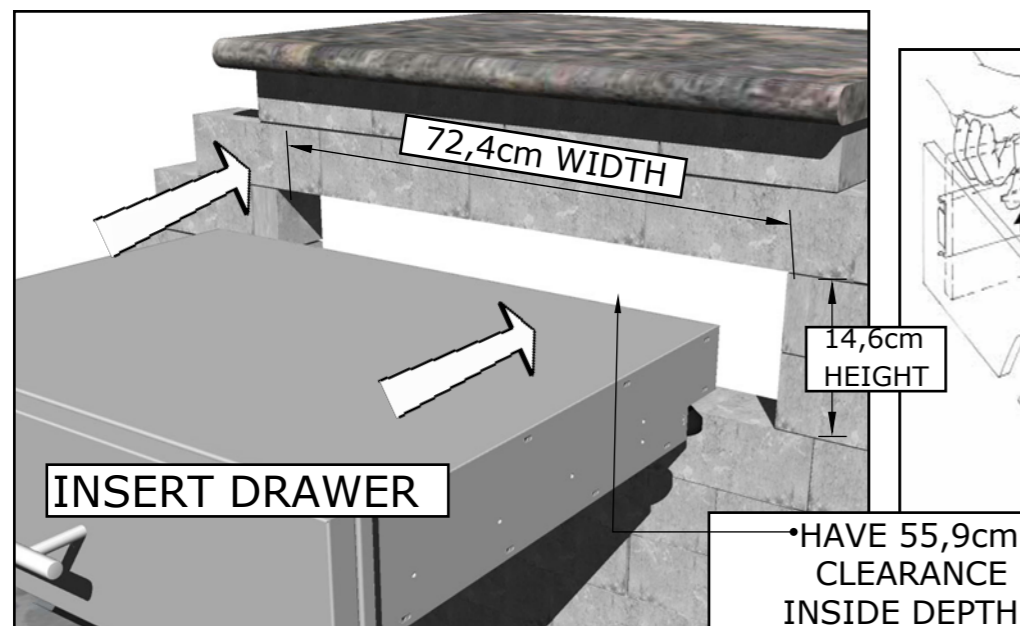
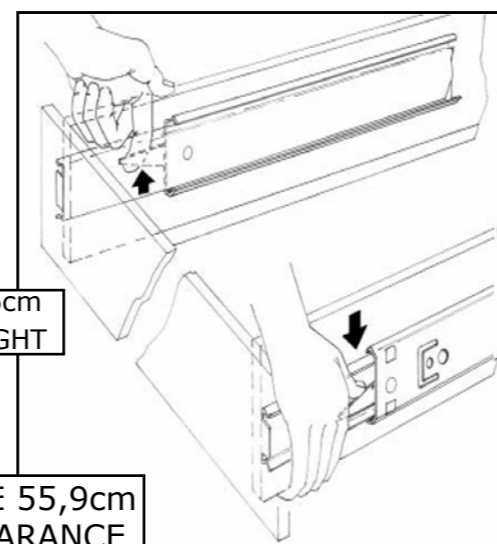
- EXTERIOR FINISH -----2 YEARS
- ROD HANDLES-----2 YEARS
- DRAWER TRACK----- 1 YEAR
- PEG-LEGS----- 1 YEAR

**Product Dimensions****Product Features****Product Installation**

ISLAND WALL CUT-OUT SIZE IS  
72,4cm WIDTH BY 14,6cm HEIGHT BY 55,9cm DEPTH

**IMPORTANT!!** - ROD HANDLES ARE MOUNTED TO INSIDE OF EACH PANEL, YOU MUST UNSCREW EACH ONE AND MOUNT ON OUTSIDE OF DRAWER OR DOOR PANEL.

See SUNSTONE manufacture website for additional product support and product tutorials:  
[www.sunstoneoutdoorkitchens.com](http://www.sunstoneoutdoorkitchens.com)

**1 . INSERT COMPONENT****2. REMOVE DRAWERS****REMOVE DRAWERS IN ORDER TO MOUNT BOX**

- Pull the drawer fully open so Levers are visible.
- Push "DOWN" on the right lever, and "UP" on the left lever.
- Holding levers in place, pull drawer toward you.

**3. MOUNT DRAWER & LOWER LEGS**