



Av. Combatentes do Ultramar, 184  
2715-776 Lameiras, Sintra, Portugal  
Tel: (+351) 219 670 073  
Email: info@sunstoneoutdoorkitchens.com

**PRODUCT**  
Single Bin Trash Drawer  
**Item No.** DE-TRD18

**DESCRIPTION**  
Designer Series, Raised Style  
Single Bin Trash Drawer

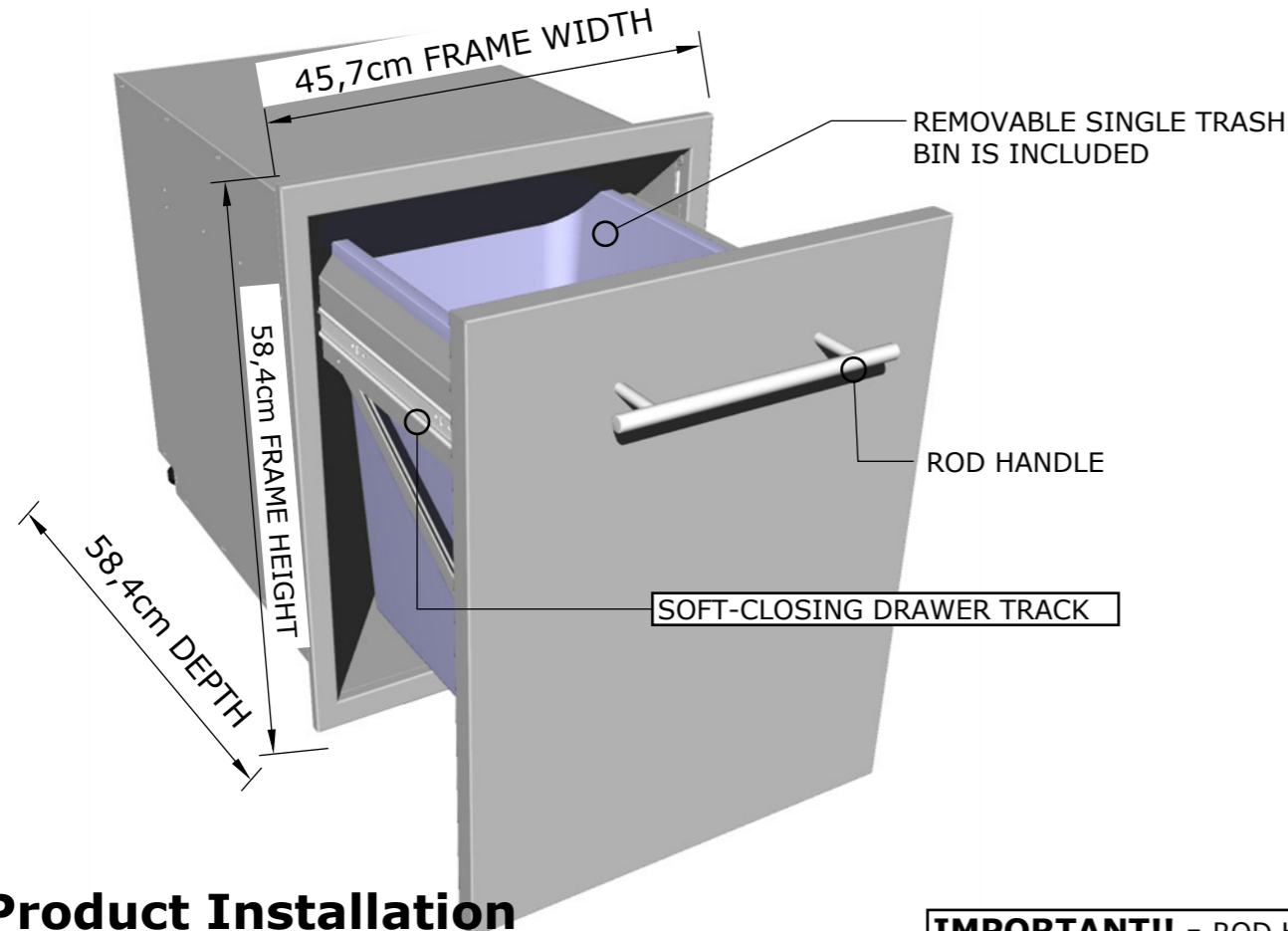
**PRODUCT DIMENSIONS**  
(PRODUCT SIZE) 45,7cm WIDTH x  
58,4cm HEIGHT x 58,4cm DEPTH  
(CUT-OUT) 41,9cm WIDTH x 53,3cm  
HEIGHT x 55,9cm DEPTH

**SPECIFICATIONS**  
Frame is made from 16 gauge 304 SS,  
and panel's are made from 18 gauge  
304 SS. Trash Bin Bracket is 18 gauge  
201 SS. Handle is Solid 304 SS.

**WARRANTY**

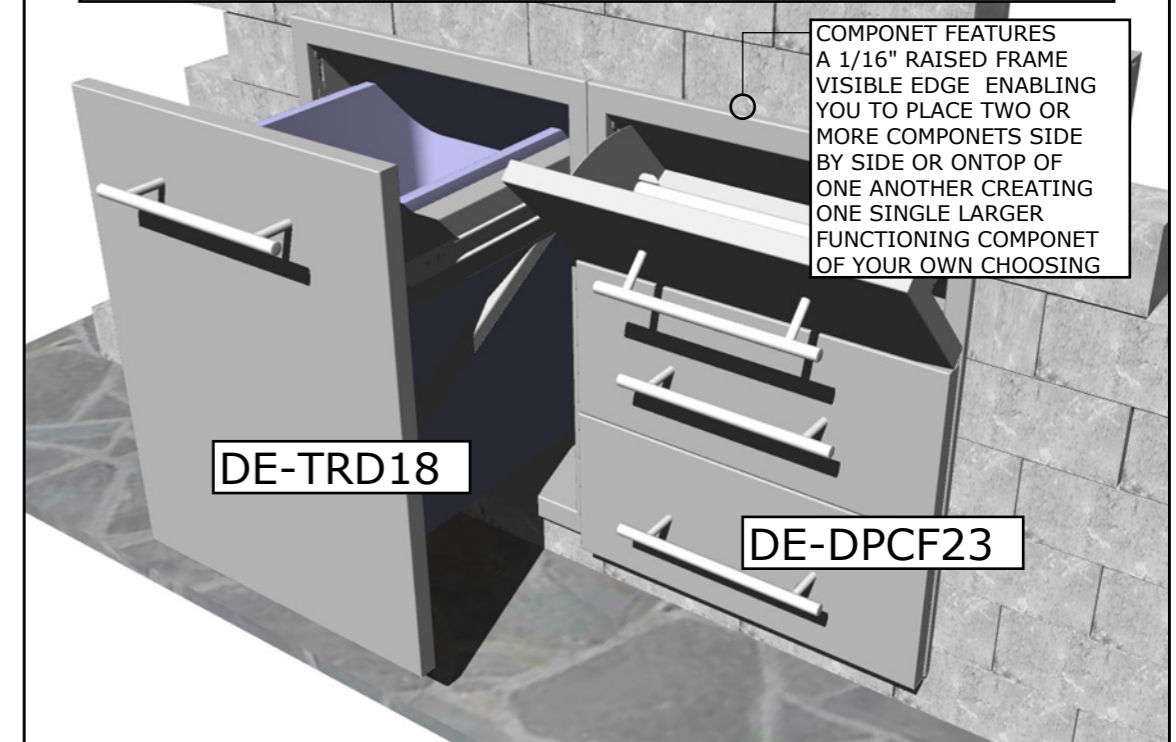
- EXTERIOR FINISH -----2 YEARS
- ROD HANDLES-----2 YEARS
- DRAWER TRACK----- 1 YEAR
- PEG-LEGS----- 1 YEAR

## Product Dimensions



## Product Features

COMBINE MULTIPLE COMPONENTS TOGETHER INTO UNLIMITED COMBINATIONS



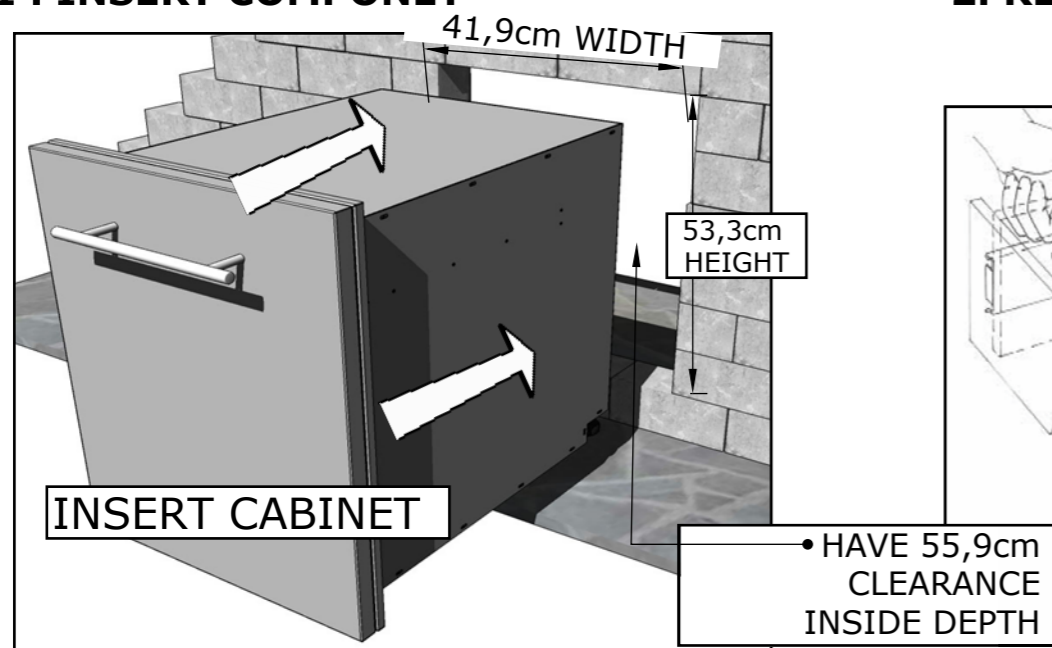
## Product Installation

ISLAND WALL CUT-OUT SIZE IS  
41,9cm WIDTH BY 53,3cm HEIGHT BY 55,9cm DEPTH

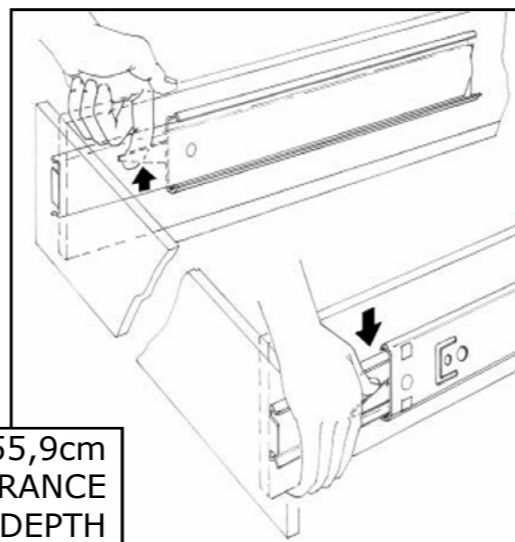
**IMPORTANT!!** - ROD HANDLES ARE MOUNTED TO INSIDE OF EACH PANEL, YOU MUST UNSCREW EACH ONE AND MOUNT ON OUTSIDE OF DRAWER OR DOOR PANEL.

See SUNSTONE manufacture website for additional product support and product tutorials:  
[www.sunstoneoutdoorkitchens.com](http://www.sunstoneoutdoorkitchens.com)

### 1 . INSERT COMPONENT



### 2. REMOVE DRAWERS



### REMOVE DRAWERS IN ORDER TO MOUNT BOX

- Pull the drawer fully open so Levers are visible.
- Push "DOWN" on the right lever, and "UP" on the left lever.
- Holding levers in place, pull drawer toward you.

### 3. MOUNT DRAWER & LOWER LEGS

