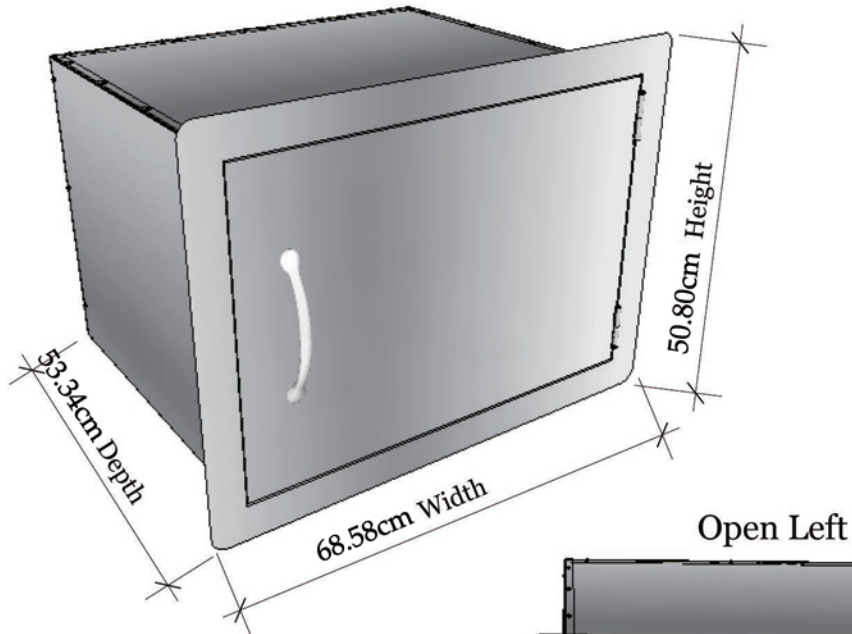
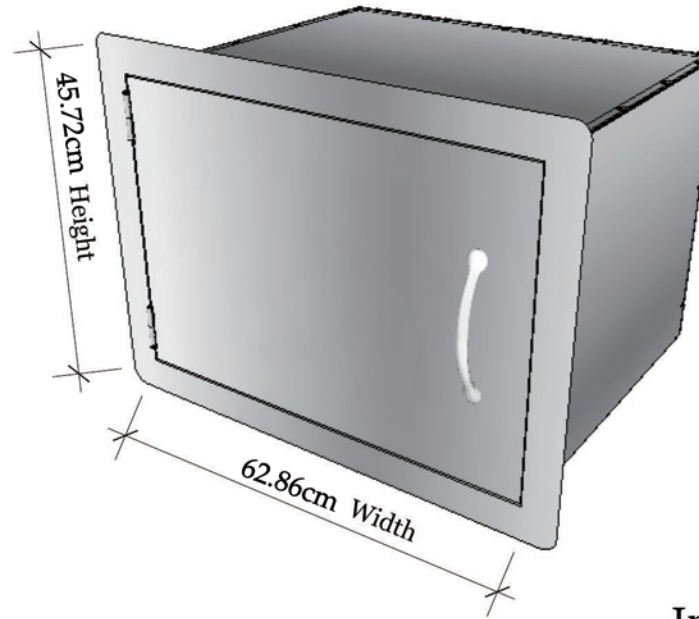


Product Dimensions



Cut-Out Dimensions



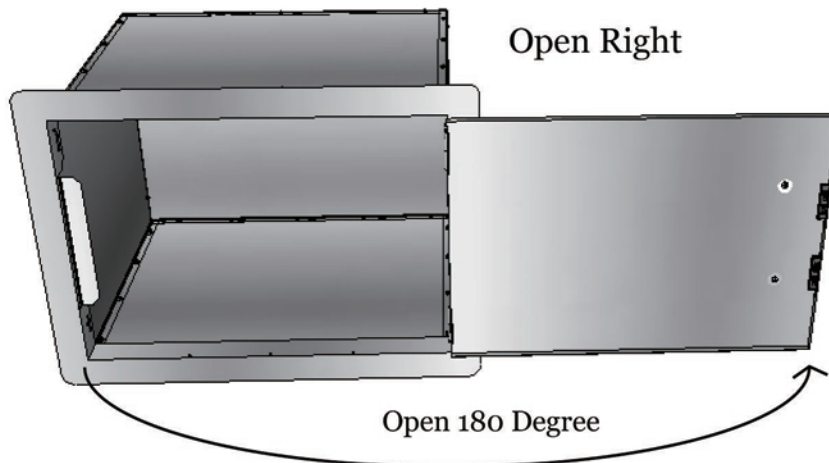
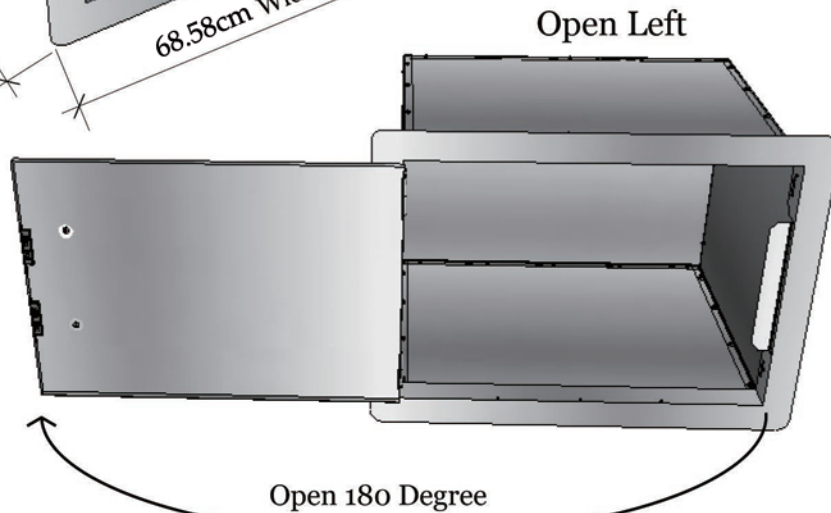
Av. Combatentes do Ultramar, 184
2715-776 Lameiras, Sintra,
Portugal
Tel: (+351) 219 670 073
Email: info@sunstoneoutdoorkitchens.com

PRODUCT
HORIZONTAL DRY STORAGE
PANTRY W/SHELF
Item No. DSH1724

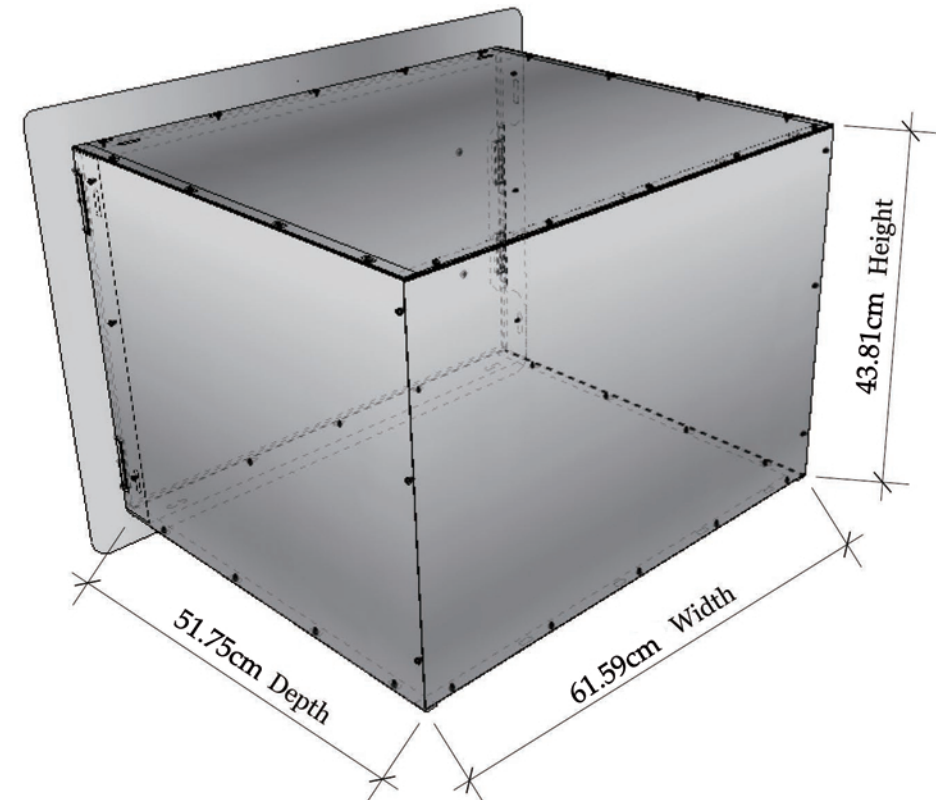
DESCRIPTION
304 stainless construction, flush
mounted Polished Look. Cabinet
is fully inclosed air tight.

Horizontal DryStorage Pantry
Product Size (cm): 68,5 W x 53,3 D x 50,8 H
Weight (kg): 19,50

Material Specifications:
16 gauge 304 stainless steel for door
18 gauge galvanized sheet for the box
Handles are made of zinc alloy,
chrome plated.



Interior Space



SOME ASSEMBLY REQUIRED