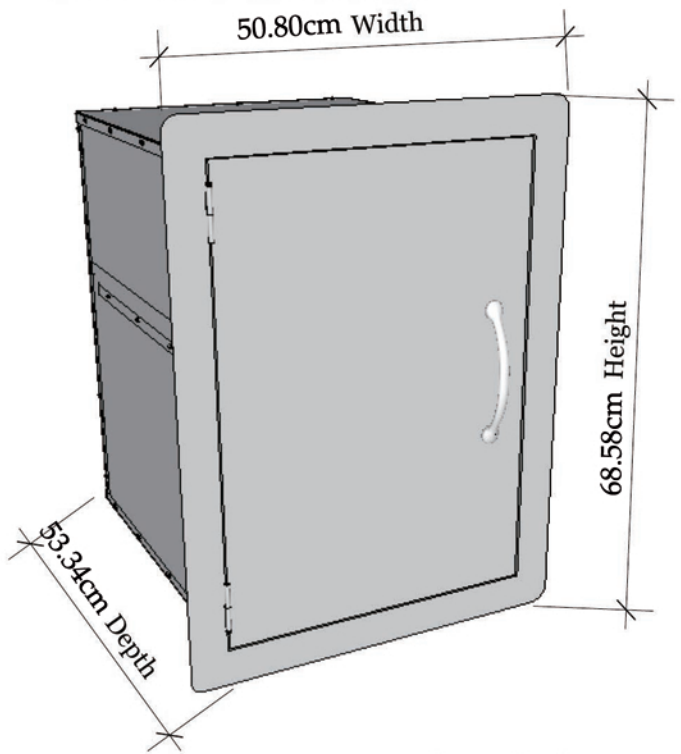
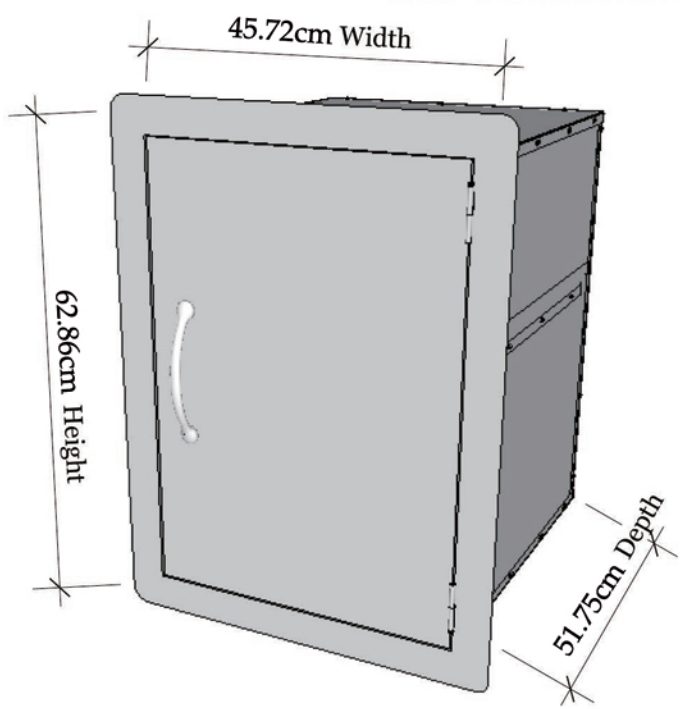


**Product Dimensions**



**Cut-Out Dimensions**



Estrada Nacional 9, Km 18,  
Fervença, 2705-906 Terrugem,  
Sintra, Portugal  
Tel: (+351) 214 915 361/2  
Fax: (+351) 219 258 842

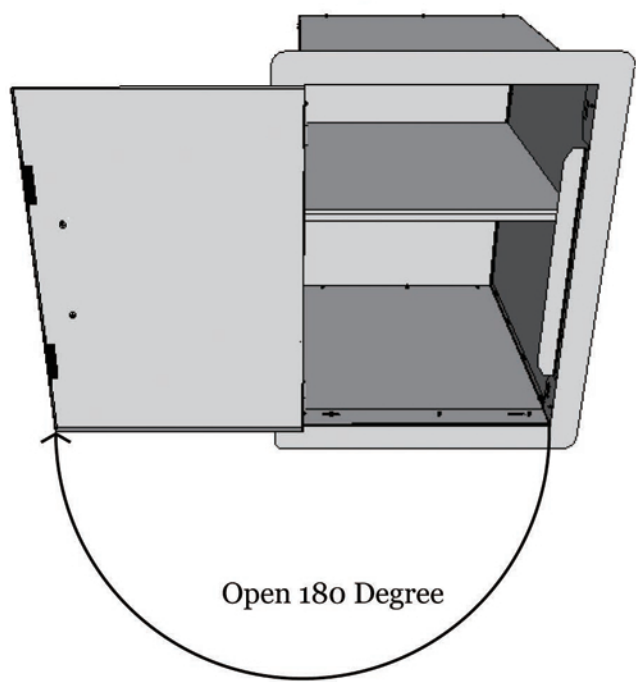
**PRODUCT**  
VERTICAL DRY STORAGE  
PANTRY W/SHELF  
Item No. DSV2417

**DESCRIPTION**  
304 stainless construction, flush mounted Polished Look. Cabinet is fully inclosed air tight.

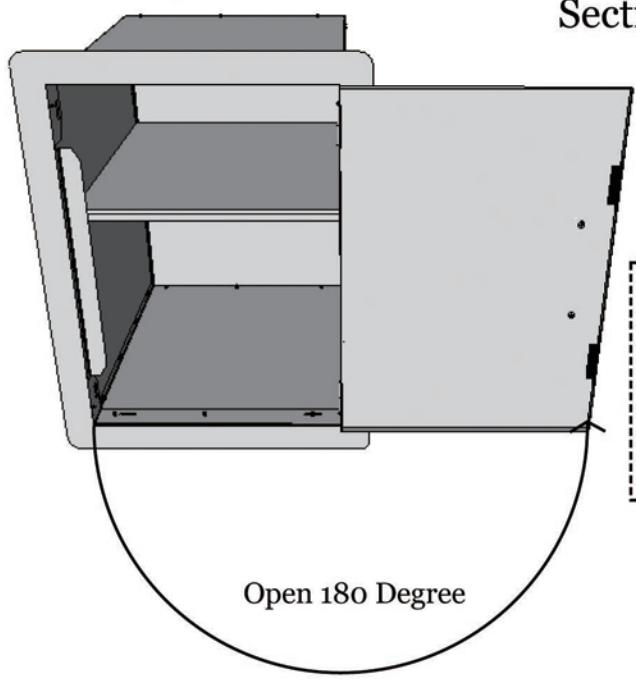
Verticle DryStorage Pantry  
Product Size (cm): 50,8 W x 53,3 D x 68,5 H  
Weight (kg): 19,50

**Material Specifications:**  
16 gauge 304 stainless steel for door  
18 gauge galvanized sheet for the box  
Handles are made of zinc alloy, chrome plated.

Open Left

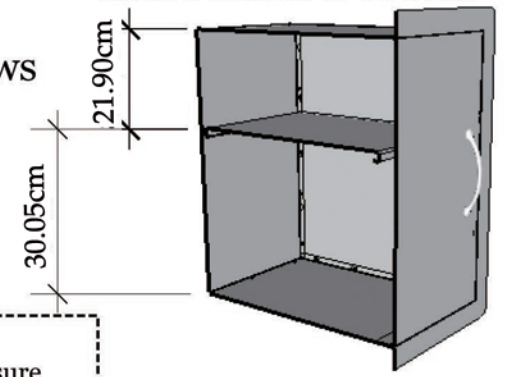


Open Right



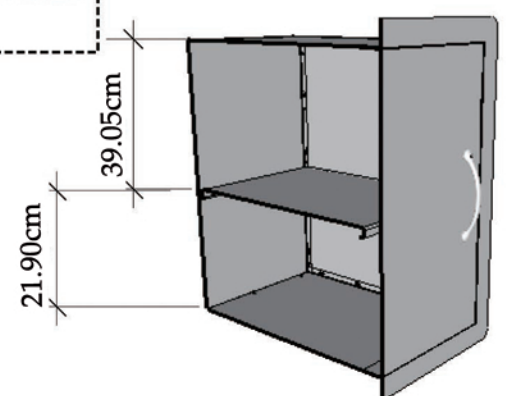
**Section Cut-Views**

Shelf Position 1: UPPER



With the Vertical Dry Storage enclosure you can set it up for LEFT or RIGHT positions and with the interior shelf on the UPPER or LOWER position.

Shelf Position 2: LOWER



**SOME ASSEMBLY REQUIRED**