

# STERLING PRO

## Blast Chillers SP0315BC / SP0523BC



2 YEAR  
WARRANTY



2-3 DAY  
DELIVERY



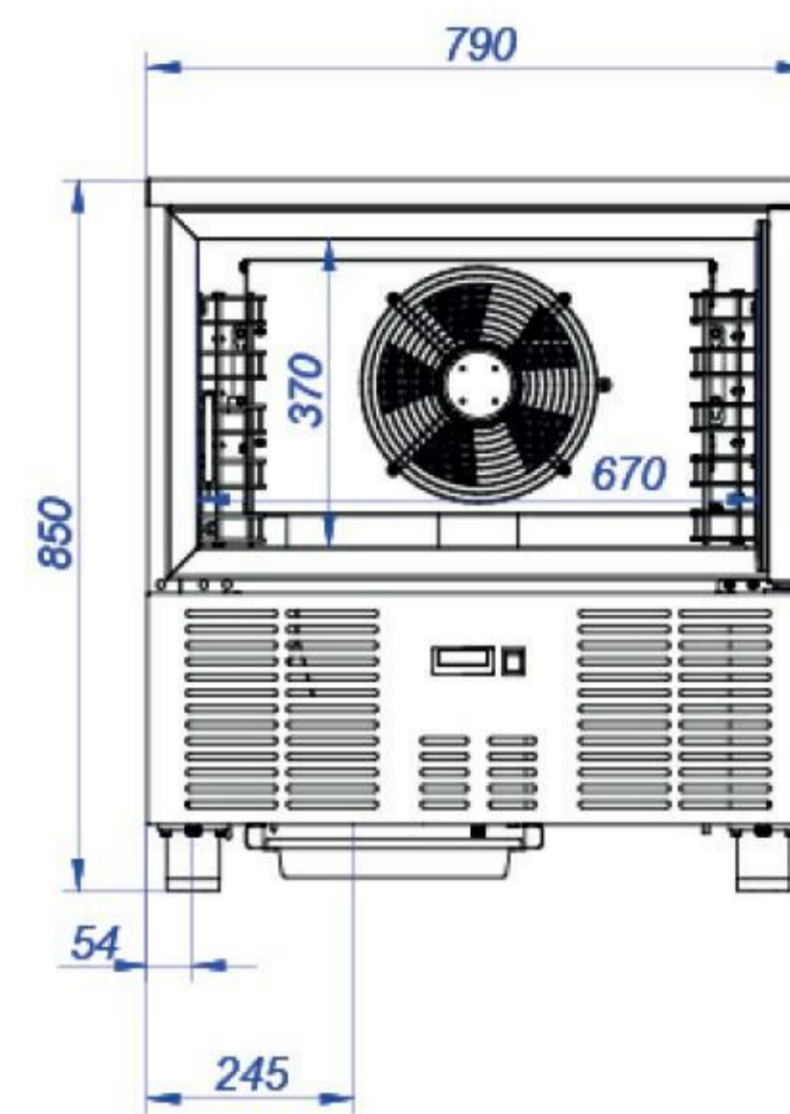
UK SERVICE  
SUPPORT



MADE IN  
THE EU



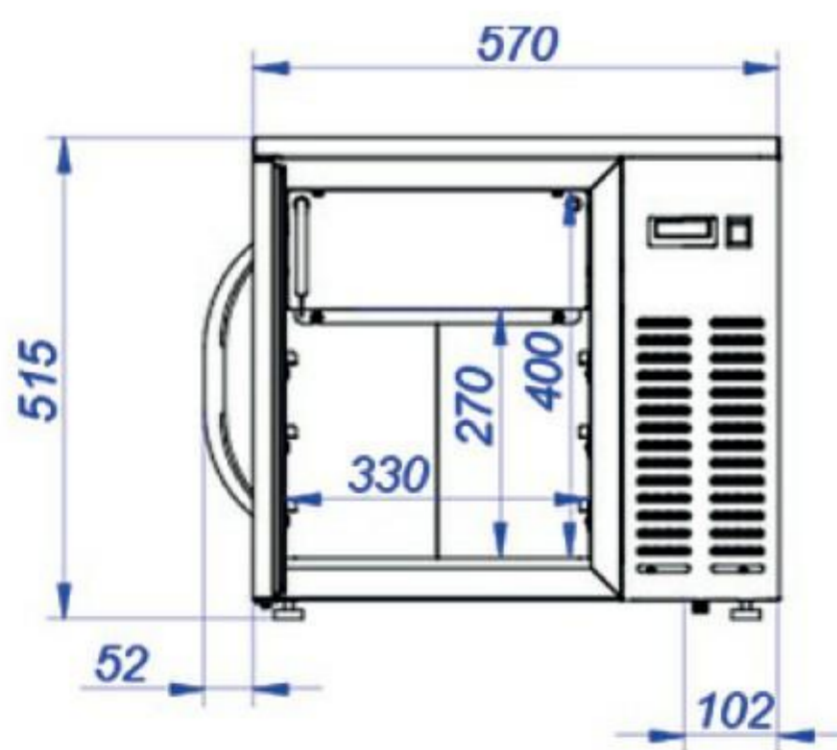
SP0523BC



SP0523BC  
Dimensions



SP0315BC



SP0315BC  
Dimensions

### Specifications

Model	Grids	Chill Capacity	Freeze Capacity	Chilling Cycle (90°C to 3°C)	Freezing Cycle (90°C to -18°C)	Dimensions (mm) Width / Depth / Height			Refrigerant	Total Power
SP0315BC	3	15kg	6kg	90 minutes	240 minutes	570	700	514	R452a	590W
SP0523BC	5	23kg	13kg	90 minutes	240 minutes	790	700	850	R452a	1100W

### Features

Power supply: 13 amp plug

60mm thick (CFC-free) polyurethane insulation

Interior with curved joints

Ventilated grills on front panels

Height adjustable Stainless Steel legs

Automatic defrosting

Sealed condenser unit with ventilated condenser

Hinged door with automatic return