

MTG10_L

Combi Gas Oven - 10 (GN 1/1_ 60x40)



TECHNICAL FEATURES

- Heating of cooking chamber with atmospheric gas burner.
- Adjustable fan speed in 3 position.
- Double-glazed ventilated door (panels can be opened for easy cleaning).
- Cooking chamber lighting with LED.
- Adjustable door hinges.
- AISI 304 cooking chamber with rounded corners.
- Height adjustable feet.
- USB port for uploading and saving recipes and for firmware updating.
- Motorised vent valve opening
- Single control by means of just one jog/dial encoder knob.

OPTIONS:

- MTG10W Washing system included
- MTG10_L left side hinges
- MTG10_R right side hinges
- Optional rack for 60x40 trays.

USER INTERFACE:

TOUCH SCREEN PANEL 7"

Convection, steam, convection with steam in combi mode, humidification and dehumidification, cook with core probe, hold in temperature for overnight cooking.

These are the Easyair's functions, an oven line which is suitable to take either gastronom and confectionery size trays and containers.

OneTouch

To start with a single move the preferred recipes selected and memorized by him with the silhouette and the name he prefers.

RecipeTuner

The RecipeTuner interface makes it possible to modify and personalise the various programs simply and intuitively. RecipeTuner changes according to the type of cooking set, to regulate cooking, browning, degree of humidity and of leavening.

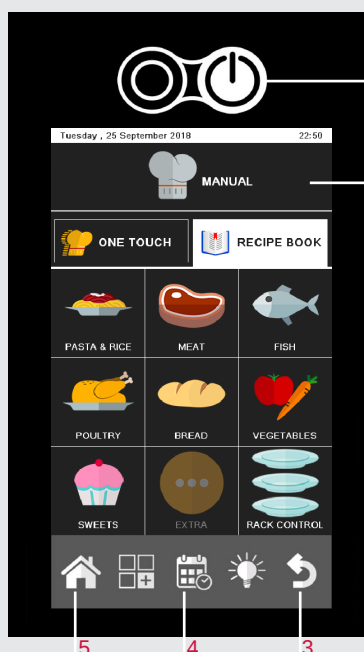
EasyService

level control cooking

The new Rack Control enables different dishes to be cooked at the same time at various levels. What's more, with EasyService, a new Rack Control function, all the dishes can be served at the same time.

1. On/Off switch.

2. Touch Screen Panel.



- Temperature control from 50° to 300°C
- Time control from 1' to 120'; infinite function.
- Cooking modes: convection, steam, combi convection/steam.

- "One Touch" cooking mode: immediate start of the cooking cycle with "one touch programs".

- Preset cooking programmes. Possibility of controlling 9 cooking phases for each programme.

- Cooking with "Rack Control"

- Interface "Recipe Tuner"

- Delta T cooking.

- Cooking with probe.

- Multi level cooking with "Easy service"

- Hold function.

- Cooldown during cooking.

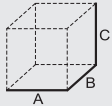
3. Back Key

4. "Scheduled Departure" key.

5. Main Menu key.

MTG10_L

Combi Gas Oven - 10 (GN 1/1_ 60x40)

	VOL./PESO Vol./Weight	VAC 230V-1N 50Hz (60 Hz optional)	POTENZA GAS CAMERA Oven cavity gas power	DISTANZA TRA LE TEGLIE Distance between the layers	DIM. CAMERA Cavity net dimension
(A x B x C) mm	m ³ /kg	kW	kW	mm	mm
...X...X... 10 GN 1/1 10 EN 60x40	1,2 / 160	0,6	19	74	645x800x450

ACCESSORIES

- Stand TSP1000
- Racks for stand TSP1000 cod. 2017692
- Proofer CLP0810
- Proofer CL900
- Proofer CL912
- Core probe 6000124 or multipoint core probe 6000126
- Probe for sous-vide cooking 6000117
- Hand spray 7080003

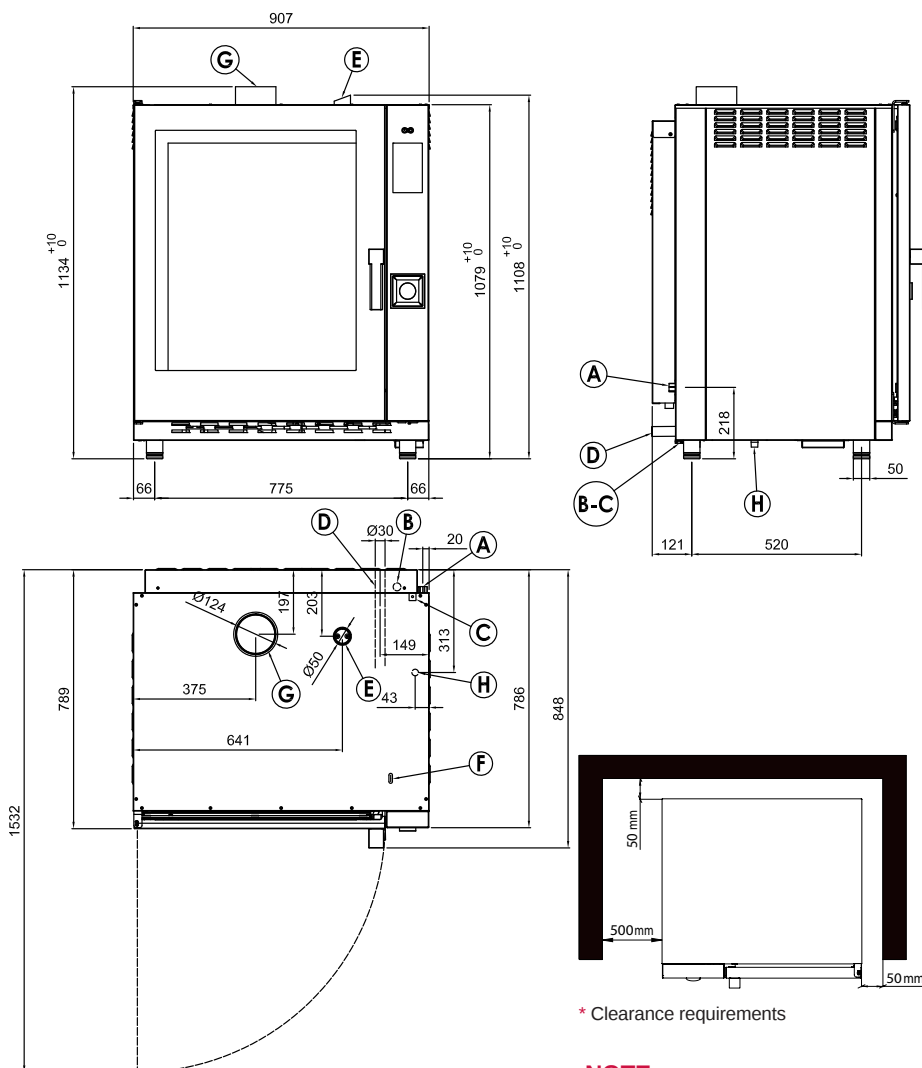
ACCESSORIES FOR PATISSERIE USE

- 2023818 racks 60x40 size 74.
- 2020080 racks 60x40 size 96

- A** Electrical connection
- B** Softened water inlet (G3/4)
- C** Equipotential bonding
- D** Drain (Ø30)
- E** Humidity discharge (Ø50)
- F** Detergent/Rinser hose inlet
- G** Smoke Exhaust (Ø124)
- H** Gas Inlet (R1/2)

WATER QUALITY REQUIREMENTS

Hardness	60-100 ppm
TDS	<100 mg/L
PH Value	7.0-8.0
Cl ₂ Free chlorine.....	<0,5 mg/L
Cl Chloride.....	<20 mg/L
Alkalinity.....	<20 mg/L
SiO ₂ Silica.....	<10 mg/L



* Clearance requirements

NOTE

* Drain line must be vented