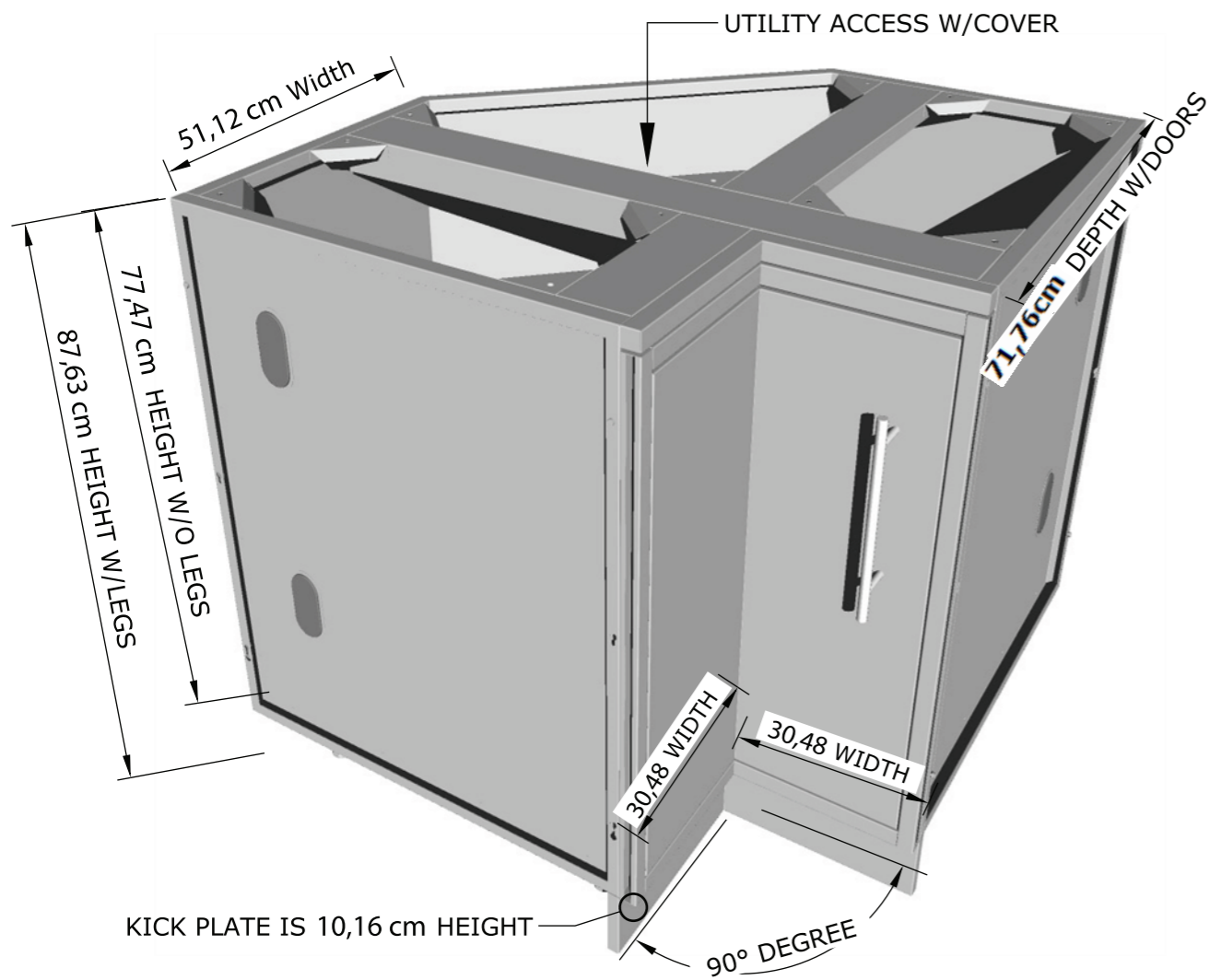
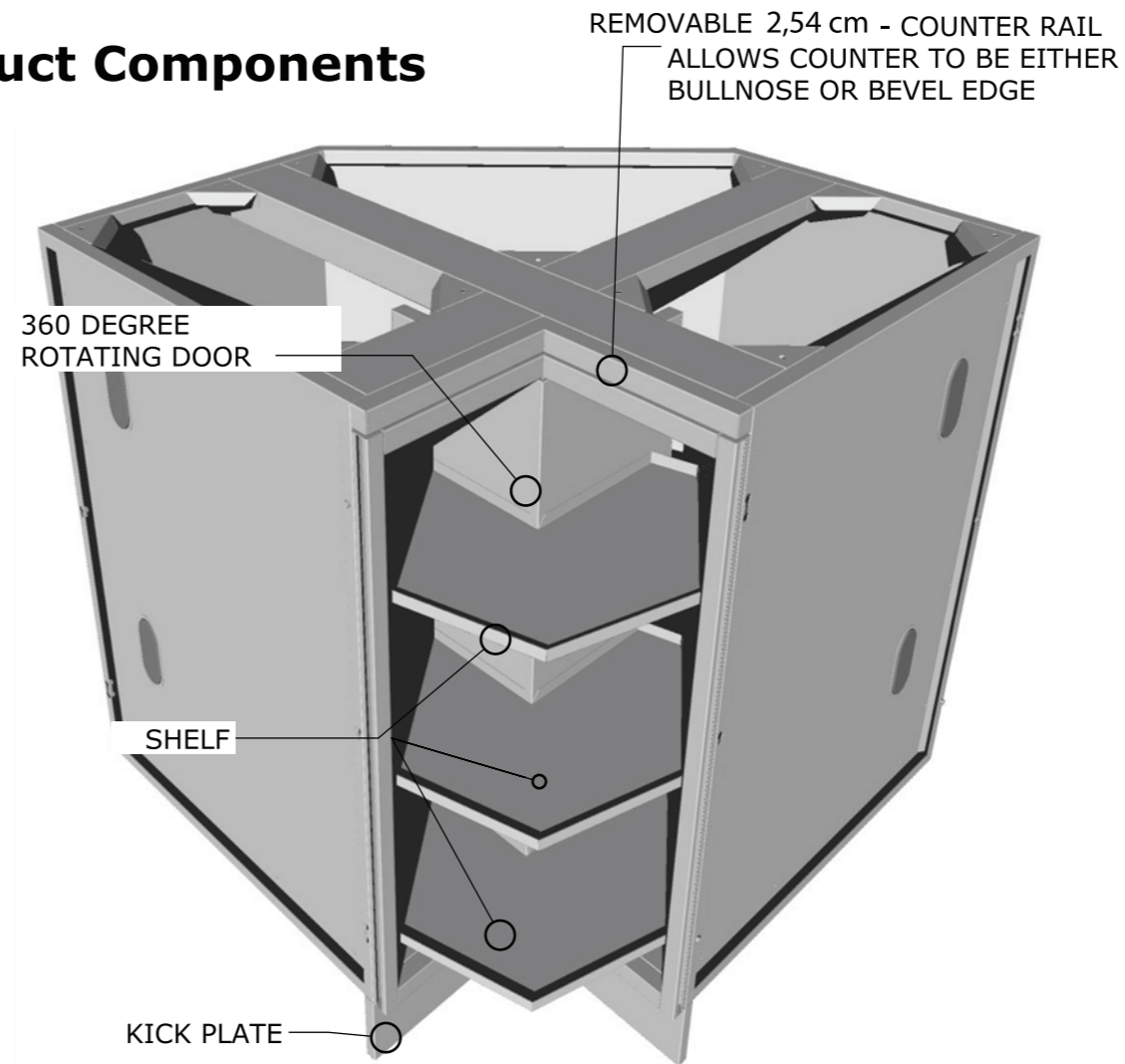


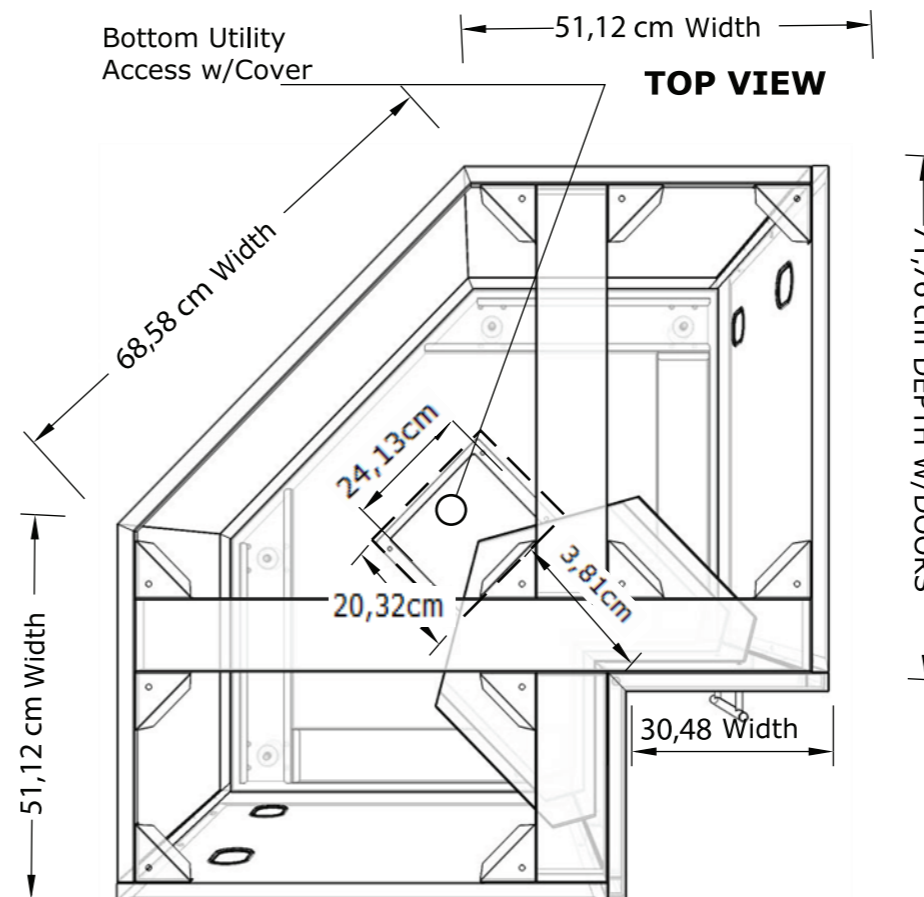
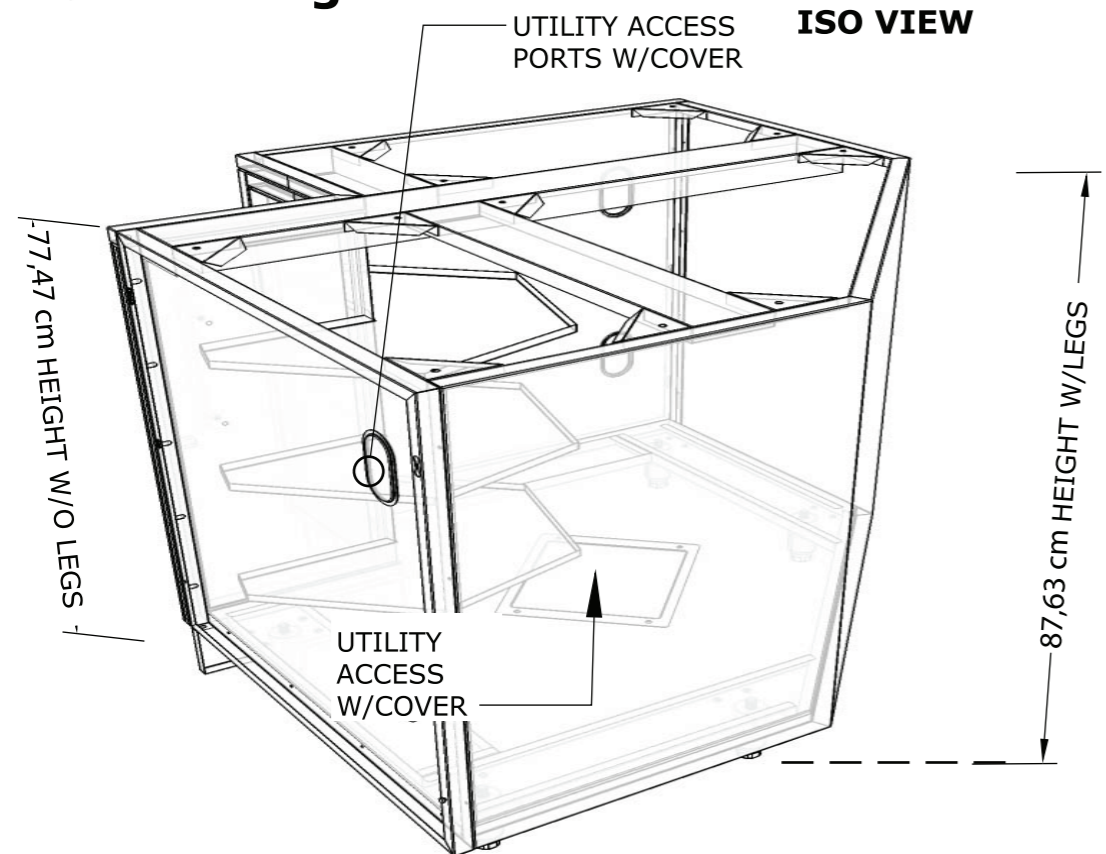
## Product Dimensions



## Product Components



## Product Diagrams



Av. Combatentes do Ultramar, 184  
2715-776 Lameiras, Sintra, Portugal  
TEL: (+351) 219 670 073  
Email: info@sunstoneoutdoorkitchens.com

### PRODUCT

Corner Cabinet  
w/Swivel Door & 3 Shelves

**Item No. SBC12SLS**

### DESCRIPTION

Corner Cabinet with  
Swivel Shelves.

- Lifetime Structure Warranty
- 304 Stainless Steel Structure
- 304 SS Rod Handles
- Front & Back Kick-Plates
- Easy Pin-Lock Installation
- Soft-Close Drawer Tracks
- Covered Access Ports
- Adjustable Peg-Legs
- Optional Wheel Casters

### INCLUDED COMPONENTS

- Front Kick Plates
- Back Solid Kick Plate
- (6) Adjustable Peg Legs
- 360 Lazy Susan 3 Shelf

### PRODUCT DIMENSIONS

60,96 W x 71,75 D (w/Panel) x 87,63 H (w/Legs)  
60,96 W x 71,75 D (w/Pa.) x 77,47 H (without Legs)  
or Upto 91,44 cm Max Adjustable Height

### INSERT DIMENSIONS

39,37cm Width x 84,46cm Height  
x 64,14cm Depth

### INSERTABLE PRODUCTS

Single Side Burner - 1SSB  
Standard Sink - A-SS17

### MATERIAL SPECS

304 Stainless Steel entire structure, 18 Gauge for Door Panel, 18 Gauge for Cabinet Box, 18 Gauge for Shelf, Handles are made of Solid 304 Stainless Steel Bar.