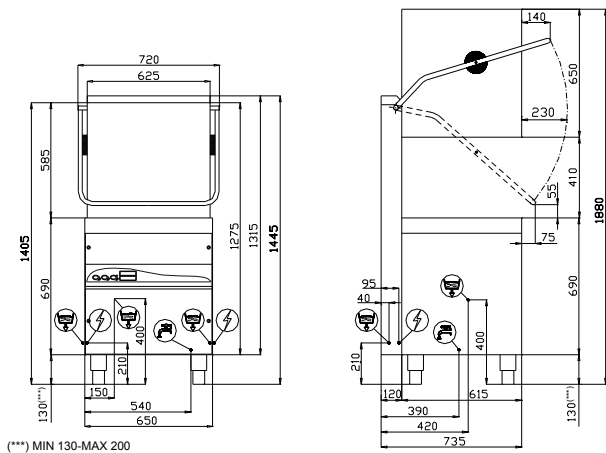


Hood Dishwashers

FEATURES

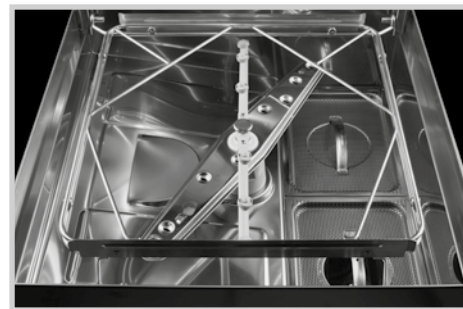
- High grade 304 stainless steel construction
- Stainless steel wash & rinse arms
- Stainless steel surface filter
- Fitted with break tank and rinse booster WRAS approved
- Automatic detergent and rinse aid dosing
- Supplied with 1 x glass basket, 2 x dish basket & 2 x cutlery holder
- 1 – 2 minute cycle
- 35 amp or 3 phase supply



IMPORTANT NOTES

If you are installing a glass or dishwasher in a hard water area, we recommend you to fit a water softener. Faults attributed to poor water quality are not covered under the manufacturer's warranty.

The HOOD110 is a gravity drain machine and does not have a factory fitted drain pump option. Drain pump can be fitted by special request at additional cost prior to despatch (POA).



Can be configured for corner operation (POA)



MODEL	PIECES /BASKET	PIECES /HR	WATER USAGE	BASKET SIZE	EXT. DIMENSIONS (H x W x D mm)	POWER CONSUMPTION	WEIGHT (kg)	RRP
HOOD110BT1PH	18 Dishes	1080	2.8L	500 x 500	1445 x 720 x 735	7120W	120	
HOOD110BT3PH	18 Dishes	1080	2.8L	500 x 500	1445 x 720 x 735	10120W	120	

