

# Bottle Coolers

Standard Black, 895mm Height

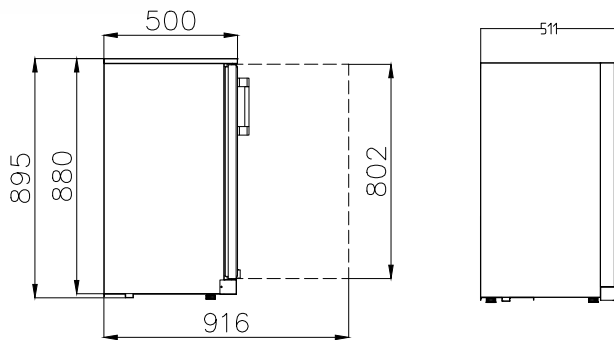
KBC1



KBC2



KBC3SL



**Shelf size -**

- KBC1: 500(W) x 325(D) mm
- KBC2: 400(W) x 325(D) mm
- KBC3: side 400(W) x 325(D) mm  
centre 445(W) x 325(D) mm

**FEATURES**

- Black exterior with aluminium interior
- Self-closing double glazed door(s)
- 2 adjustable shelves per door
- Fitted locks
- Internal LED illumination with on/off switch
- Adjustable feet
- Replaceable door gasket (hinged door models)

**TECHNICAL SPECIFICATIONS**

- Controller: Digital controller with temperature display
- Cooling: Fan assisted
- Defrost: Automatic
- Refrigerant: R600a
- Climate Class: 4
- Temperature Range: +4°C ~ +10°C
- Power Supply: 13amp

MODEL	DOOR	CAPACITY (Bottles*)	GROSS CAPACITY	EXT. DIMENSIONS (H x W x D mm)	POWER CONSUMPTION	DECIBELS	WEIGHT (kg)	RRP
KBC1	1 (hinged)	135	138L	900 x 600 x 520	150W	49dBA	47	
KBC2	2 (hinged)	202	208L	900 x 900 x 520	210W	52dBA	73	
KBC2SL	2 (sliding)	202	208L	900 x 900 x 520	210W	52dBA	73	
KBC3	3 (hinged)	338	320L	900 x 1350 x 520	270W	58dBA	89	
KBC3SL	3 (sliding)	338	320L	900 x 1350 x 520	270W	58dBA	89	

\* based on 275ml bottles



For **quantity discount**, please contact Sales Office on 01254 614444

