

MODEL T5

SOFT SERVE FREEZER

COMPACT, SINGLE FLAVOUR, COUNTERTOP, GRAVITY FEED



Ideal for any business compact, single flavour soft serve machine, suitable for soft ice cream, frozen yoghurt or sorbet. Fantastic addition for restaurants, bars, kitchens, convenience stores and delis.



FAST FREEZE DOWN

Patented high efficiency heat exchanger allows fast freeze down with low energy consumption



EASY TO OPERATE

Manually operated, easy to use and simple to clean



FLEXIBLE PLACEMENT

Plugs in most available power outlets anywhere you want



LOW OPERATING COST

Low energy consumption that reduces cost of operation



LOW MIX INDICATOR

Light turns "ON" at low mix to alert operator to add mix



AUTO CLOSING DISPENSING VALVE

Automatically prevents product overflow after each dispense



DISPENSING SPEED CONTROL

Flexible dispense rate control for different applications



SAFETY PROTECTIONS

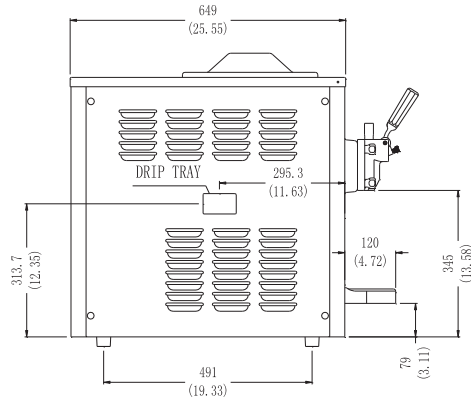
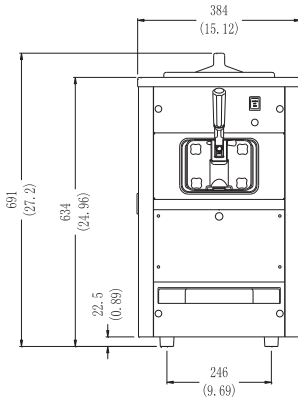
- Low temperature and motor overload cutouts to protect in the event of cylinder freeze up
- High pressure switch to prevent compressor overheating
- Inverter system- Noise reduction

MOST COMPACT AND VERSATILE SINGLE FLAVOR COUNTERTOP MODEL FOR SOFT SERVE ICE CREAM AND FROZEN YOGURT

MAXIMISE YOUR PROFITS

MODEL T5

SOFT SERVE FREEZER MACHINE



SPECIFICATIONS

Flavours	1	
Freezing Cylinders	1 x 1.2L	
Mix Hoppers	1 x 8.0L	
Output Capacity (80 grams)	80 serves/hr	
Clearance Requirements	152mm/6" on back	

WEIGHT	KG/LB (Gravity)	KG/LB (Pump)
Net	86 / 191	NA
Shipping	96 / 213	NA
Volume	0.30 CBM / 10.54 CBF	

DIMENSIONS	NET (MM/IN)	SHIPPING (MM/IN)
Width	384 / 15.1	450 / 17.7
Depth	649 / 25.6	790 / 31.1
Height	692 / 27.2	840 / 33.1

ELECTRICAL	AMP	VOLTS	POWER(KW)
110-115/60/1	13	NA	NA
220-240/50/1	13	NA	NA

FEATURES

CONTROL SYSTEMS	SINGLE ANALOG
REFRIGERATED HOPPERS	<input checked="" type="checkbox"/>
HOPPER AGITATOR	<input checked="" type="checkbox"/>
TEMPERATURE DISPLAY	<input checked="" type="checkbox"/>
STANDBY MODE	<input checked="" type="checkbox"/>
AUTO CLOSING DISPENSING VALVES	<input checked="" type="checkbox"/>
DISPENSING SPEED CONTROL	<input checked="" type="checkbox"/>
LOW MIX INDICATOR LIGHT	<input checked="" type="checkbox"/>
LOW MIX INDICATOR ALARM	<input checked="" type="checkbox"/>
LOW TEMPERATURE PROTECTION	<input checked="" type="checkbox"/>
MOTOR AMPERAGE PROTECTION	<input checked="" type="checkbox"/>
HIGH PRESSURE PROTECTION	<input checked="" type="checkbox"/>
THERMAL OVERLOAD PROTECTION	<input checked="" type="checkbox"/>

BLUE ICE MACHINES LTD

Lea Road trading Estate, Lea Rd, Waltham Cross, London, Waltham Abbey EN9 1AE

020 8801 6919

info@blueicecreammachine.co.uk

www.blueicecreammachine.co.uk